

PARTS LIST

WESTERBEKE

DIESEL GENERATORS Mobile and Industrial

**8.0 BTDR
10.0 BTDR
11.0 BTDR
12.5 BTDR**

Publication #39742

Edition One

October 1992



PARTS LIST

WESTERBEKE

DIESEL GENERATORS Mobile and Industrial

**8.0 BTDR
10.0 BTDR
11.0 BTDR
12.5 BTDR**

Publication #39742

Edition One

October 1992



IMPORTANT

PRODUCT SOFTWARE DISCLAIMER

Product software of all kinds, such as brochures, drawings, technical data, operator's and workshop manuals, parts lists and parts price lists, and other information, instructions and specifications provided from sources other than Westerbeke, is not within Westerbeke's control and; accordingly, is provided to Westerbeke customers only as a courtesy and service. **Westerbeke cannot be responsible for the content of such software, makes no warranties or representations with respect thereto, including the accuracy, timeliness or completeness thereof, and will in no event be liable for any type of damages or injury incurred in connection with, or arising out of, the furnishing or use of such software.**

For example, components and subassemblies incorporated in Westerbeke's products and supplied by others (such as engine blocks, fuel systems and components, transmissions, electrical components, pumps and other products) are generally supported by their manufacturers with their own software, and Westerbeke must depend on such software for the design of Westerbeke's own product software. Such software may be outdated and no longer accurate. Routine changes made by Westerbeke's suppliers, of which Westerbeke rarely has notice in advance, are frequently not reflected in the supplier's software until after such changes take place.

Westerbeke customers should also keep in mind the time span between printings of Westerbeke product software and the unavoidable existence of earlier, non-current, Westerbeke software editions in the field. Additionally, most Westerbeke products include customer-requested special features that frequently do not include complete documentation.

In summation, product software provided with Westerbeke products, whether from Westerbeke or other suppliers, must not and cannot be relied upon exclusively as the definitive authority on the respective product. It not only makes good sense but is imperative that appropriate representatives of Westerbeke or the supplier in question be consulted to determine the accuracy and currency of the product software being consulted by the customer.

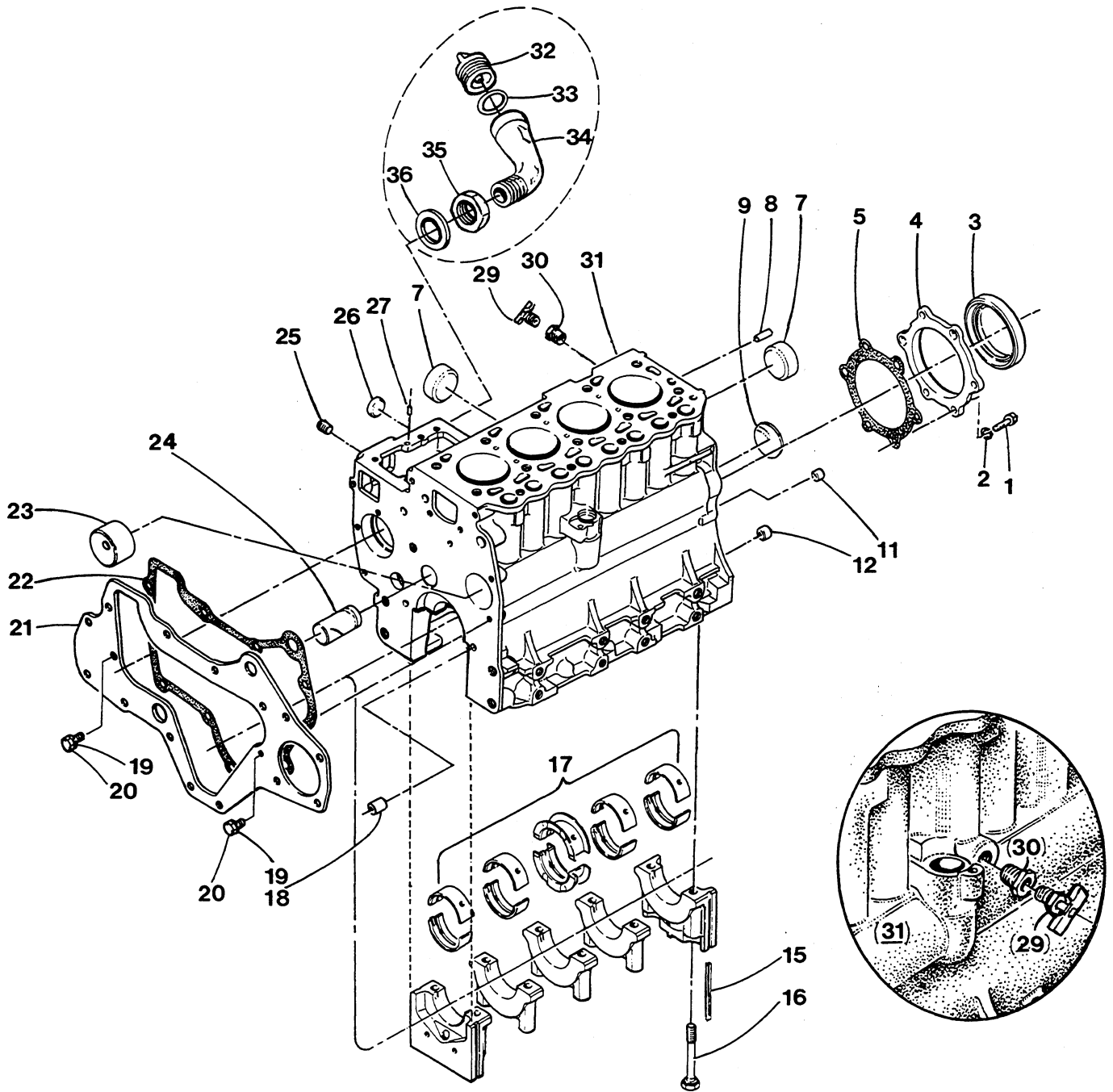
THIS PARTS LIST COVERS A FAMILY OF FOUR ENGINE BLOCKS USED FOR GENERATOR APPLICATIONS. ALL REFERENCES IN THE BOOK REFER TO THE 3 OR 4 CYLINDER ENGINE OR THE 60 HERTZ MODEL BUT ARE APPLICABLE FOR THE CORRESPONDING 50 HERTZ MODEL AS LISTED IN THE CHART BELOW.

NUMBER OF CYLINDERS	60HZ GENERATOR	50HZ GENERATOR
THREE	8.0 BTDR-614	6.0 BTDR-514
THREE	10.0 BTDR-614	7.5 BTDR-514
FOUR	11.0 BTDR-614	8.3 BTDR-514
FOUR	12.5 BTDR-614	9.4 BTDR-514

TABLE OF CONTENTS

PAGE	DESCRIPTION
100	CYLINDER BLOCK
102	CYLINDER HEAD
106	TIMING COVER AND SUMP
108	CRANKSHAFT AND PISTONS
112	CAMSHAFT AND ROCKER SHAFT
116	LUBE OIL PUMP AND FILTER
118	INTAKE MANIFOLD
120	GOVERNOR SYSTEM
122	FUEL SYSTEM
126	FUEL INJECTOR
128	COOLING SYSTEM
130	FRESH WATER PUMP
132	MOUNTING SYSTEM
134	GENERATOR AND BACK END
138	8.0 BTDR - GENERATOR AC OUTPUT
140	10.0-12.5 KW - AC OUTPUT AND REGULATOR 1 PHASE
142	10.0-12.5 KW - AC OUTPUT AND REGULATOR 3 PHASE
144	ELECTRICAL SYSTEM
148	CONTROL PANEL
152	ALTERNATOR
154	STARTER MOTORS
156	MISCELLANEOUS

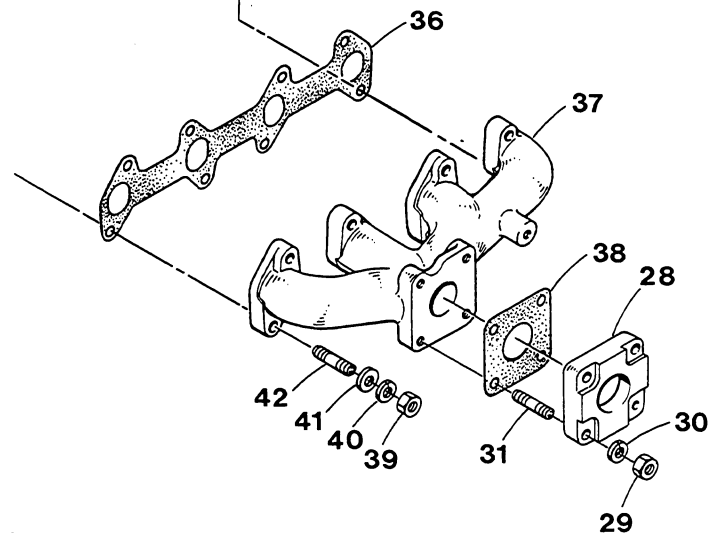
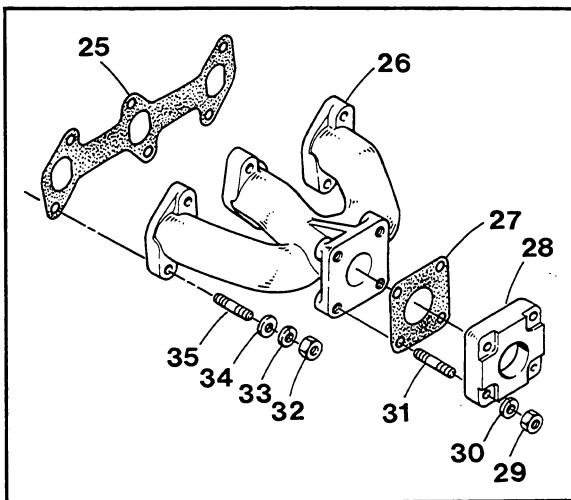
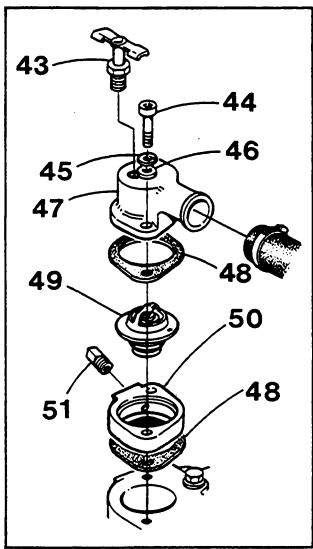
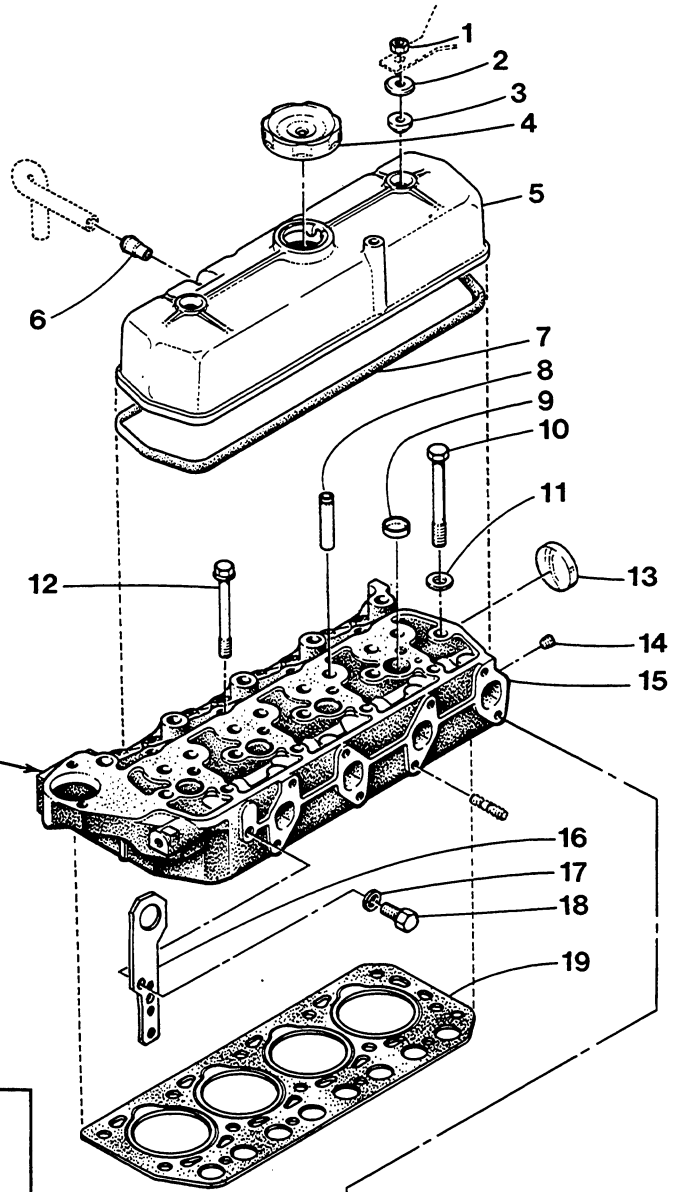
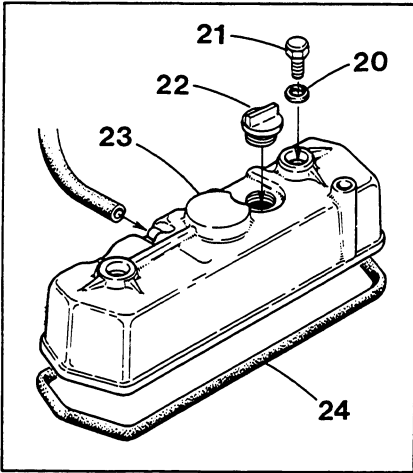
8.0 BTDR - 10.0 BTDR - 11.0 BTDR - 12.5 BTDR - CYLINDER BLOCK



8.0 BTDR - 10.0 BTDR - 11.0 BTDR - 12.5 BTDR - CYLINDER BLOCK

REF	PN	NAME	REMARKS	QUAN
1	013630	CAPSCREW	M 8 X 25 DIN 933	6
2	031786	LOCKWASHER	M 8 DIN 127	6
2-2	030717	PLUG	EXPANSION 45MM DIN 443 4 CYLINDER	3
3	030395	SEAL	OIL	1
4	030489	HOUSING	OIL SEAL	1
5	030490	GASKET	OIL SEAL HOUSING	1
7-1	030717	PLUG	EXPANSION 45MM DIN 443 3 CYLINDER	2
8	030272	DOWEL		1
9	030286	PLUG	EXPANSION 40MM DIN 470	1
11	030706	DOWEL	TUBULAR 8X9	2
12	030709	DOWEL	TUBULAR 12X9	1
15	030390	SEAL	SIDE	4
16-1	030389	BOLT	MAIN BEARING CAP 3 CYLINDER	8
16-2	030389	BOLT	MAIN BEARING CAP 4 CYLINDER	10
17-1	037701	BEARING	SET MAIN STD 3 CYLINDER	1
17-2	037702	BEARING	SET MAIN 0.25 3 CYLINDER	1
17-3	037703	BEARING	SET MAIN 0.50 3 CYLINDER	1
17-4	037704	BEARING	SET MAIN 0.75 3 CYLINDER	1
17-5	037672	BEARING	SET MAIN STD 4 CYLINDER	1
17-6	037677	BEARING	SET MAIN 0.25 4 CYLINDER	1
17-7	037678	BEARING	SET MAIN 0.50 4 CYLINDER	1
17-8	037679	BEARING	SET MAIN 0.75 4 CYLINDER	1
18	030707	DOWEL	TUBULAR 8X13	2
19	031786	LOCKWASHER	M 8 DIN 127	3
20	016789	CAPSCREW	M 8 X 16 DIN 933	3
21	030492	PLATE	FRONT	1
22	030493	GASKET	FRONT PLATE TO BLOCK	1
23	030488	BUSHING	CAMSHAFT	1
24	030487	SHAFT	IDLER GEAR	1
25	030712	PLUG	1/4BSPT DIN 906	3
26	024373	PLUG	EXPANSION 25MM DIN 443	2
27	036943	DOWEL		2
29	011471	PETCOCK	1/8 NPT 3 CYLINDER	1
30-1	024752	ADAPTER	1/4BSPT TO 1/8 NPT 3 CYLINDER	1
30-2	030712	PLUG	1/4BSPT DIN 906 4 CYLINDER	1
31-1	034938	BLOCK	ASSEMBLY 8.0 BTDR	1
31-2	037501	BLOCK	ASSEMBLY 10.0 BTDR	1
31-3	035398	BLOCK	ASSEMBLY 11.0 BTDR	1
31-4	037768	BLOCK	ASSEMBLY 12.5 BTDR	1
32	033126	CAP	OIL FILLER WITH O-RING	1
33	033123	O-RING	OIL FILLER CAP	1
34	034670	ELBOW	OIL FILLER TO BLOCK	1
35	034669	NUT	OIL FILLER ELBOW	1
36	034667	WASHER	OIL FILLER ELBOW	1

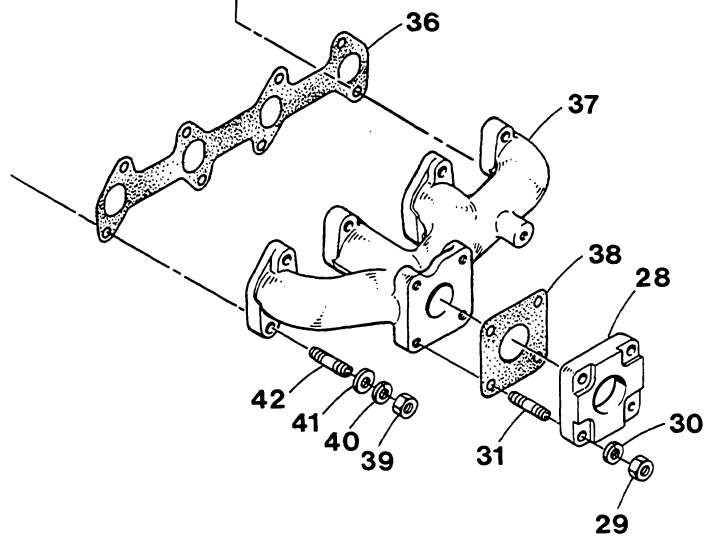
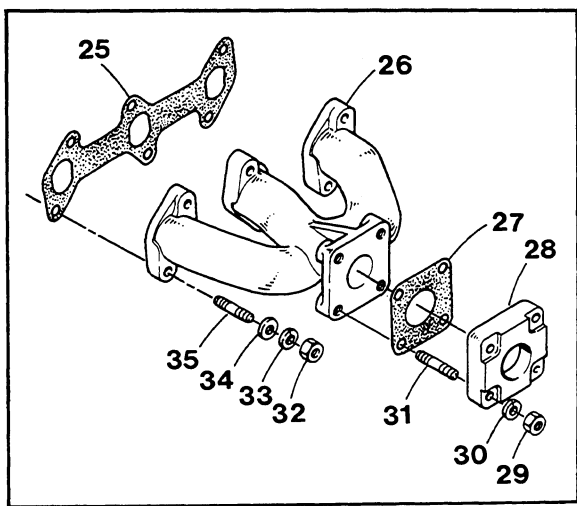
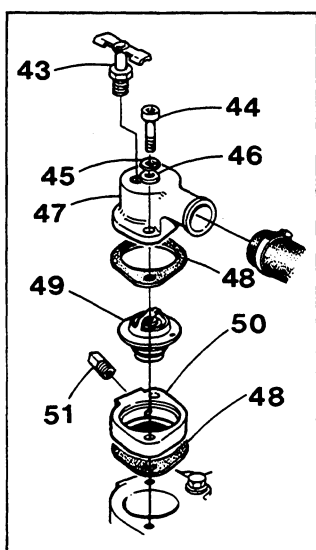
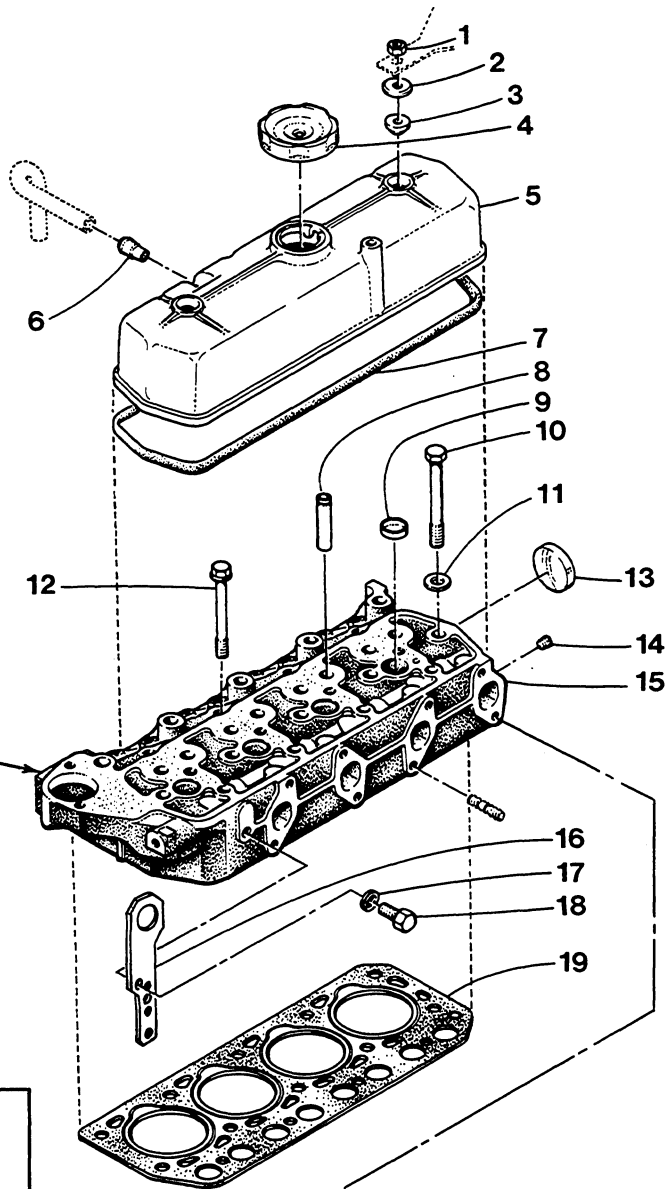
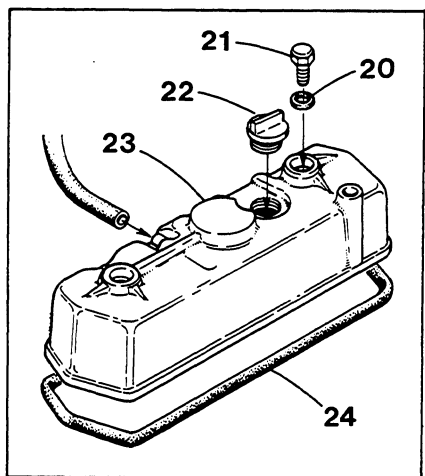
8.0 BTDR - 10.0 BTDR - 11.0 BTDR - 12.5 BTDR - CYLINDER HEAD



8.0 BTDR - 10.0 BTDR - 11.0 BTDR - 12.5 BTDR - CYLINDER HEAD

REF	PN	NAME	REMARKS	QUAN
1	018242	NUT	M 8 DIN 934 4 CYLINDER	2
2	030517	WASHER	4 CYLINDER	2
3	030780	SEAL	OIL-ROCKER COVER STUD 4 CYLINDER	2
4	030237	CAP	OIL FILLER 4 CYLINDER	1
5	030514	COVER	ROCKER INCL REF 6 4 CYLINDER	1
6	030219	CONNECTOR	BREATHER HOSE TO COVER	1
7	030516	GASKET	ROCKER COVER 4 CYLINDER	1
8-1	030506	GUIDE	VALVE 3 CYLINDER	6
8-2	030506	GUIDE	VALVE 4 CYLINDER	8
9-1	024373	PLUG	EXPANSION 25MM DIN 443 3 CYLINDER	3
9-2	024373	PLUG	EXPANSION 25MM DIN 443 4 CYLINDER	4
10-1	030512	BOLT	CYLINDER HEAD-LONG 3 CYLINDER	8
10-2	030512	BOLT	CYLINDER HEAD-LONG 4 CYLINDER	10
11-1	030243	WASHER	HEAD BOLT 3 CYLINDER	8
11-2	030243	WASHER	HEAD BOLT 4 CYLINDER	10
12-1	030383	BOLT	CYLINDER HEAD-SHORT 3 CYLINDER	3
12-2	030383	BOLT	CYLINDER HEAD-SHORT 4 CYLINDER	4
13	030717	PLUG	EXPANSION 45MM DIN 443	1
14	030711	PLUG	1/8BSPT DIN 906	1
15-1	039713	HEAD	CYLINDER INCL REF 8-9-13 8.0 BTDR	1
15-2	039720	HEAD	CYLINDER INCL REF 8-9-13 10.0 BTDR	1
15-3	039716	HEAD	CYLINDER INCL REF 8-9-13 11.0 BTDR	1
15-4	038930	HEAD	CYLINDER INCL REF 8-9-13 12.5 BTDR	1
16	030131	EYE	LIFTING	2
17	019262	LOCKWASHER	M10 DIN 127	1
18	024952	CAPSCREW	M10 X 1.25 X 20 DIN 961	1
19-1	030509	GASKET	CYLINDER HEAD 8.0 BTDR	1
19-2	037661	GASKET	CYLINDER HEAD 10.0 BTDR	1
19-3	030507	GASKET	CYLINDER HEAD 11.0 BTDR	1
19-4	037687	GASKET	CYLINDER HEAD 12.5 BTDR	1
20	030289	SEAL	ROCKER COVER CAPSCREW 3 CYLINDER	2
21	034672	CAPSCREW	M 8 X 11 DIN 933 3 CYLINDER	2
22-1	033126	CAP	OIL FILLER WITH O-RING 3 CYLINDER	1
22-2	033123	O-RING	OIL FILLER CAP	1
23	037671	COVER	ROCKER INCL REF 6 3 CYLINDER	1
24	030515	GASKET	ROCKER COVER 3 CYLINDER	1
25	034246	GASKET	EXHAUST MANIFOLD TO HEAD 3 CYLINDER	1
26	039411	MANIFOLD	EXHAUST 3 CYLINDER	1
27	039477	GASKET	MANIFOLD TO ADAPTER 3 CYLINDER	1
28	039508	ADAPTER	MANIFOLD TO EXHAUST PIPE	1
29	018242	NUT	M 8 DIN 924	4
30	031786	LOCKWASHER	M 8 DIN 127	4

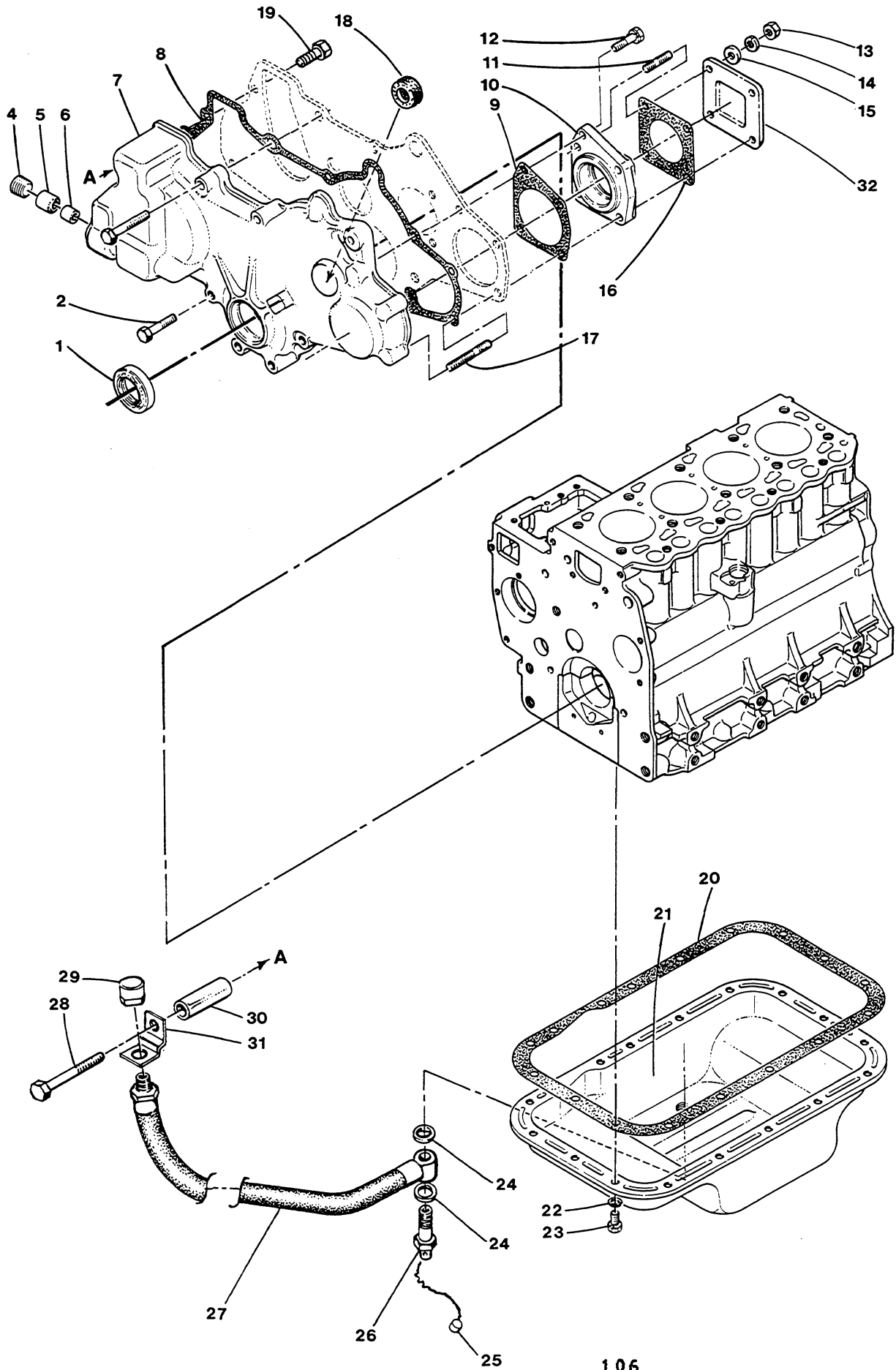
8.0 BTDR - 10.0 BTDR - 11.0 BTDR - 12.5 BTDR - CYLINDER HEAD



8.0 BTDR - 10.0 BTDR - 11.0 BTDR - 12.5 BTDR - CYLINDER HEAD

REF	PN	NAME	REMARKS	QUAN
31	015830	STUD	M 8 X 25 DIN 939	4
32	018242	NUT	M 8 DIN 934 3 CYLINDER	6
33	031786	LOCKWASHER	M 8 DIN 127 3 CYLINDER	6
34	031787	WASHER	M 8 DIN 125 3 CYLINDER	6
35	015830	STUD	M 8 X 25 DIN 939 3 CYLINDER	6
36	034657	GASKET	EXHAUST MANIFOLD TO HEAD 4 CYLINDER	1
37	039407	MANIFOLD	EXHAUST 4 CYLINDER	1
38	039487	GASKET	MANIFOLD TO ADAPTER 4 CYLINDER	1
39	018242	NUT	M 8 DIN 934 4 CYLINDER	8
40	031786	LOCKWASHER	M 8 DIN 127 4 CYLINDER	8
41	031787	WASHER	M 8 DIN 125 4 CYLINDER	8
42	015830	STUD	M 8 X 25 DIN 939 4 CYLINDER	8
43	011471	PETCOCK	1/8 NPT	1
44	031259	CAPSCREW	M 8 X 45 DIN 912	2
45	031786	LOCKWASHER	M 8 DIN 127	2
46	031787	WASHER	M 8 DIN 125	2
47	034416	HOUSING	THERMOSTAT	1
48	034196	GASKET	THERMOSTAT	2
49	024688	THERMOSTAT		1
50	035430	SPACER	THERMOSTAT	1
51	019369	PLUG	1/8 NPT HEX HEAD BRASS	1

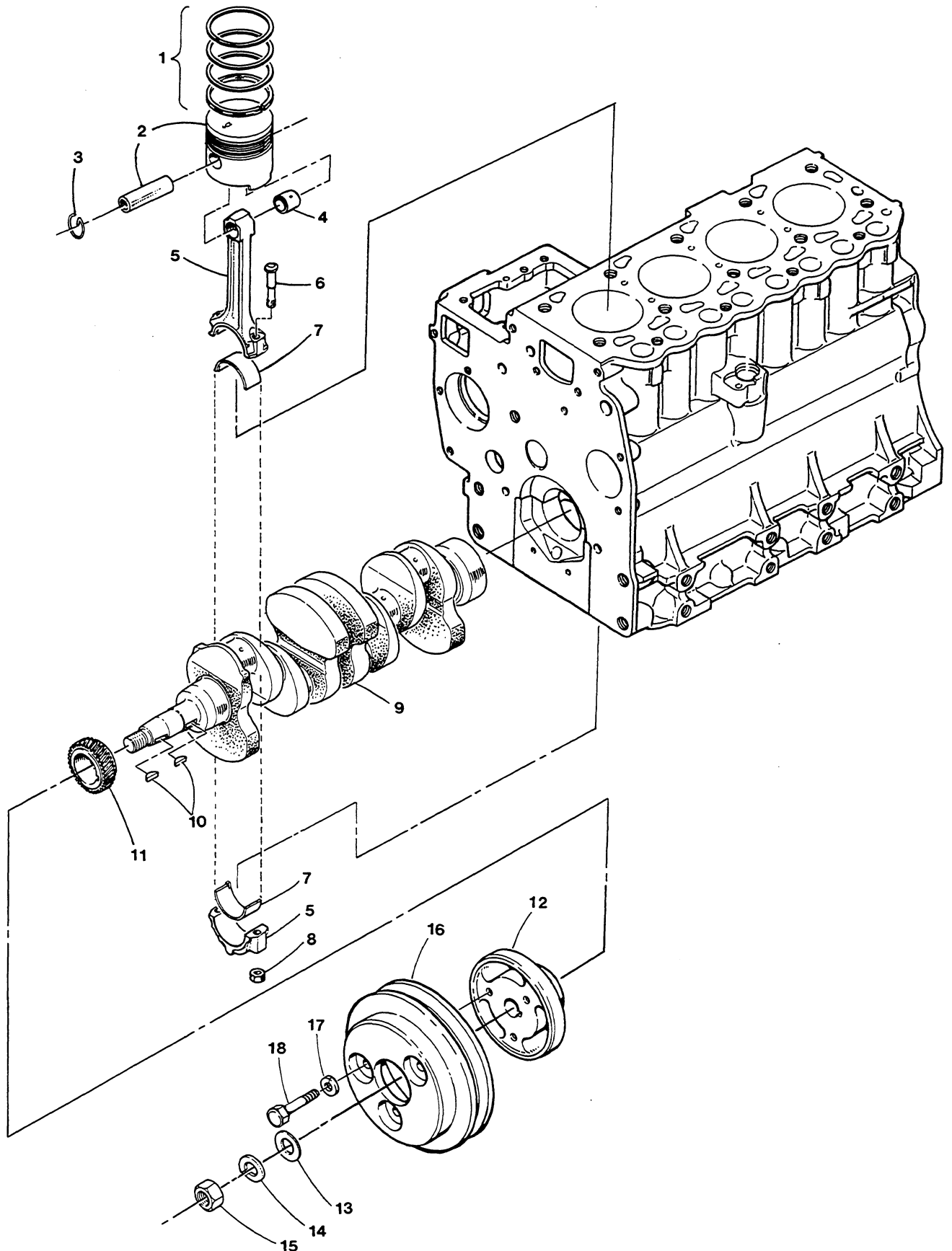
8.0 BTDR - 10.0 BTDR - 11.0 BTDR - 12.5 BTDR - TIMING COVER AND SUMP



8.0 BTDR - 10.0 BTDR - 11.0 BTDR - 12.5 BTDR - TIMING COVER AND SUMP

REF	PN	NAME	REMARKS	QUAN
1	030209	SEAL	OIL	1
2	024948	CAPSCREW	M 8 X 45 DIN 931	7
4	030713	PLUG	1/2BSPT DIN 906	1
5	030411	BEARING	NEEDLE	1
6	030410	BEARING	NEEDLE	1
7	030494	COVER	TIMING	1
8	030495	GASKET	TIMING COVER	1
9	030589	GASKET	BEARING HOUSING	1
10	030588	HOUSING	BEARING	1
11	015828	STUD	M 8 X 22 DIN 939	1
12-1	013619	CAPSCREW	M 8 X 30 DIN 933	1
12-2	031786	LOCKWASHER	M 8 DIN 127	1
13	018242	NUT	M 8 DIN 934	4
14	031786	LOCKWASHER	M 8 DIN 127	4
15	031787	WASHER	M 8 DIN 125	4
16	030326	GASKET	WATER PUMP TO HOUSING	1
17	031282	STUD	M 8 X 45 DIN 939	3
18	033278	PLUG	THRUST	1
19	035792	CAPSCREW	M 8 X 16 INCL LOCKWASHER	2
20-1	030498	GASKET	OIL SUMP 3 CYLINDER	1
20-2	030499	GASKET	OIL SUMP 4 CYLINDER	1
21-1	034673	SUMP	OIL 3 CYLINDER	1
21-2	030497	SUMP	OIL 4 CYLINDER	1
22-1	031786	LOCKWASHER	M 8 DIN 127 3 CYLINDER	15
22-2	031786	LOCKWASHER	M 8 DIN 127 4 CYLINDER	17
23-1	016789	CAPSCREW	M 8 X 16 DIN 933 3 CYLINDER	15
23-2	016789	CAPSCREW	M 8 X 16 DIN 933 4 CYLINDER	17
24	036493	WASHER	SUMP DRAIN BANJO	2
25	037393	SEAL	LEAD WIRE	1
26	036819	BOLT	BANJO-SUMP DRAIN	1
27-1	034746	HOSE	SUMP DRAIN 3 CYLINDER	1
27-2	030846	HOSE	SUMP DRAIN 4 CYLINDER	1
28	031817	CAPSCREW	M 8 X 105 DIN 931	1
29	024905	CAP	SUMP DRAIN HOSE	1
30	033565	SPACER		1
31	024922	BRACKET	SUMP DRAIN HOSE	1
32	030203	COVER	BEARING HOUSING	1

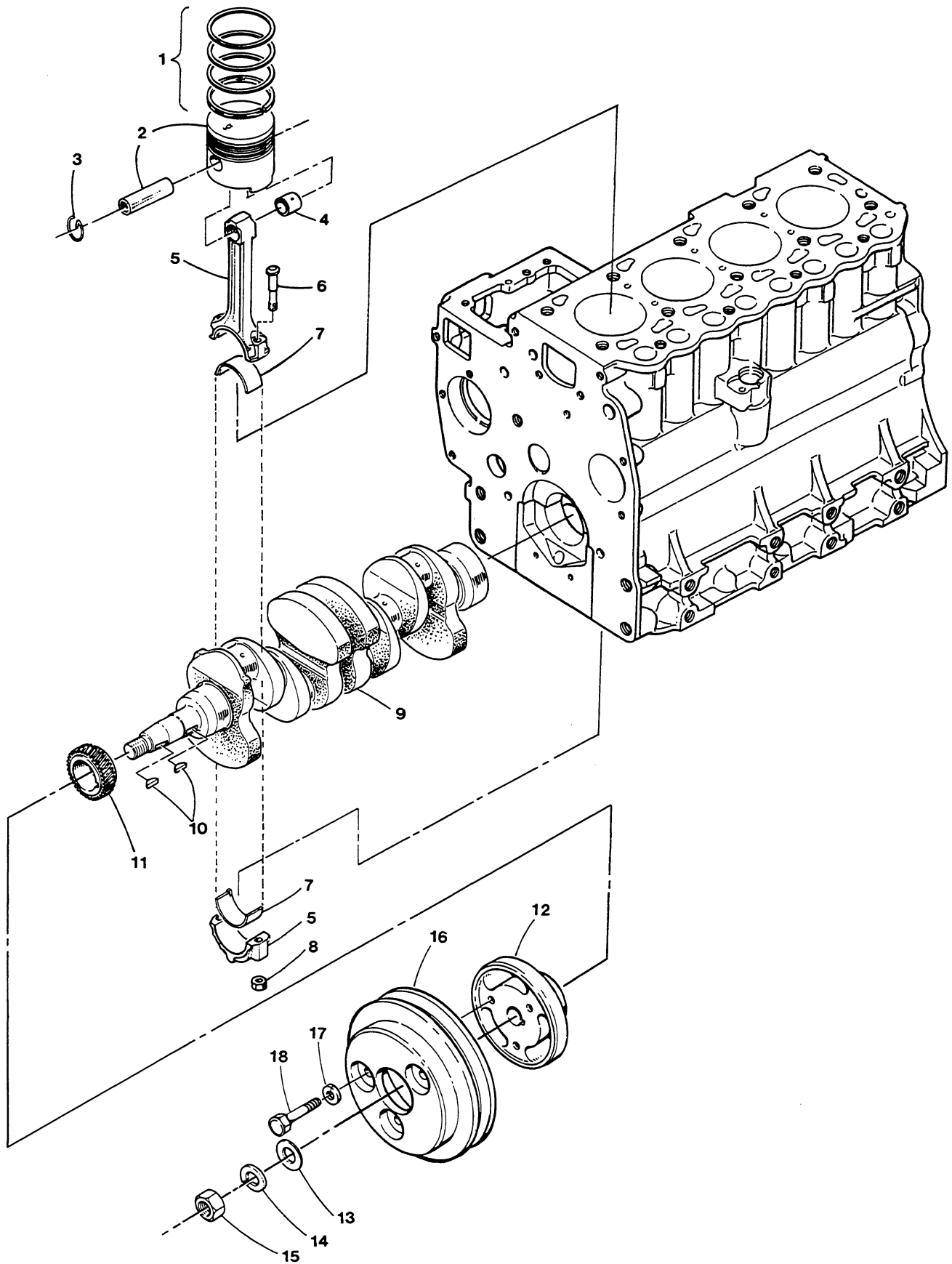
8.0 BTDR - 10.0 BTDR - 11.0 BTDR - 12.5 BTDR - CRANKSHAFT AND PISTONS



8.0 BTDR - 10.0 BTDR - 11.0 BTDR - 12.5 BTDR - CRANKSHAFT AND PISTONS

REF	PN	NAME	REMARKS	QUAN
1-01	037271	RING SET	STD 8.0 BTDR	3
1-03	037273	RING SET	0.50 8.0 BTDR	3
1-04	037274	RING SET	0.75 8.0 BTDR	3
1-05	037667	RING SET	STD 10.0 BTDR	3
1-06	037668	RING SET	0.25 10.0 BTDR	3
1-07	037669	RING SET	0.50 10.0 BTDR	3
1-08	037271	RING SET	STD 11.0 BTDR	4
1-09	037272	RING SET	0.25 11.0 BTDR	4
1-10	037273	RING SET	0.50 11.0 BTDR	4
1-11	037274	RING SET	0.75 11.0 BTDR	4
1-12	037667	RING SET	STD 12.5 BTDR	4
1-13	037668	RING SET	0.25 12.5 BTDR	4
1-14	037669	RING SET	0.50 12.5 BTDR	4
2-01	037683	PISTON	WITH PIN STD 8.0 BTDR	3
2-02	037684	PISTON	WITH PIN 0.25 8.0 BTDR	3
2-03	037685	PISTON	WITH PIN 0.50 8.0 BTDR	3
2-04	037686	PISTON	WITH PIN 0.75 8.0 BTDR	3
2-05	037699	PISTON	WITH PIN STD 10.0 BTDR	3
2-06	037705	PISTON	WITH PIN 0.25 10.0 BTDR	3
2-07	037706	PISTON	WITH PIN 0.50 10.0 BTDR	3
2-08	037683	PISTON	WITH PIN STD 11.0 BTDR	4
2-09	037684	PISTON	WITH PIN 0.25 11.0 BTDR	4
2-10	037685	PISTON	WITH PIN 0.50 11.0 BTDR	4
2-11	037686	PISTON	WITH PIN 0.75 11.0 BTDR	4
2-12	037699	PISTON	WITH PIN STD 12.5 BTDR	4
2-13	037705	PISTON	WITH PIN 0.25 12.5 BTDR	4
2-14	037706	PISTON	WITH PIN 0.50 12.5 BTDR	4
3-1	030205	CIRCLIP	PISTON PIN RETAINING 3 CYLINDER	6
3-2	030205	CIRCLIP	PISTON PIN RETAINING 4 CYLINDER	8
4-1	037662	BUSHING	CONNECTING ROD 10.0 BTDR	3
4-2	037662	BUSHING	CONNECTING ROD 12.5 BTDR	4
5-1	030530	ROD	CONNECTING 8.0 BTDR	3
5-2	037660	ROD	CONNECTING 10.0 BTDR	3
5-3	030530	ROD	CONNECTING 11.0 BTDR	4
5-4	037660	ROD	CONNECTING 12.5 BTDR	4
6-1	036914	BOLT	CONNECTING ROD 3 CYLINDER	6
6-2	036914	BOLT	CONNECTING ROD 4 CYLINDER	8
7-1	037673	BEARING	CONNECTING ROD SET STD 3 CYLINDER	3
7-2	037680	BEARING	CONNECTING ROD SET 0.25 3 CYLINDER	3
7-3	037681	BEARING	CONNECTING ROD SET 0.50 3 CYLINDER	3
7-4	037682	BEARING	CONNECTING ROD SET 0.75 3 CYLINDER	3
7-5	037673	BEARING	CONNECTING ROD SET STD 4 CYLINDER	4
7-6	037680	BEARING	CONNECTING ROD SET 0.25 4 CYLINDER	4
7-7	037681	BEARING	CONNECTING ROD SET 0.50 4 CYLINDER	4
7-8	037682	BEARING	CONNECTING ROD SET 0.75 4 CYLINDER	4

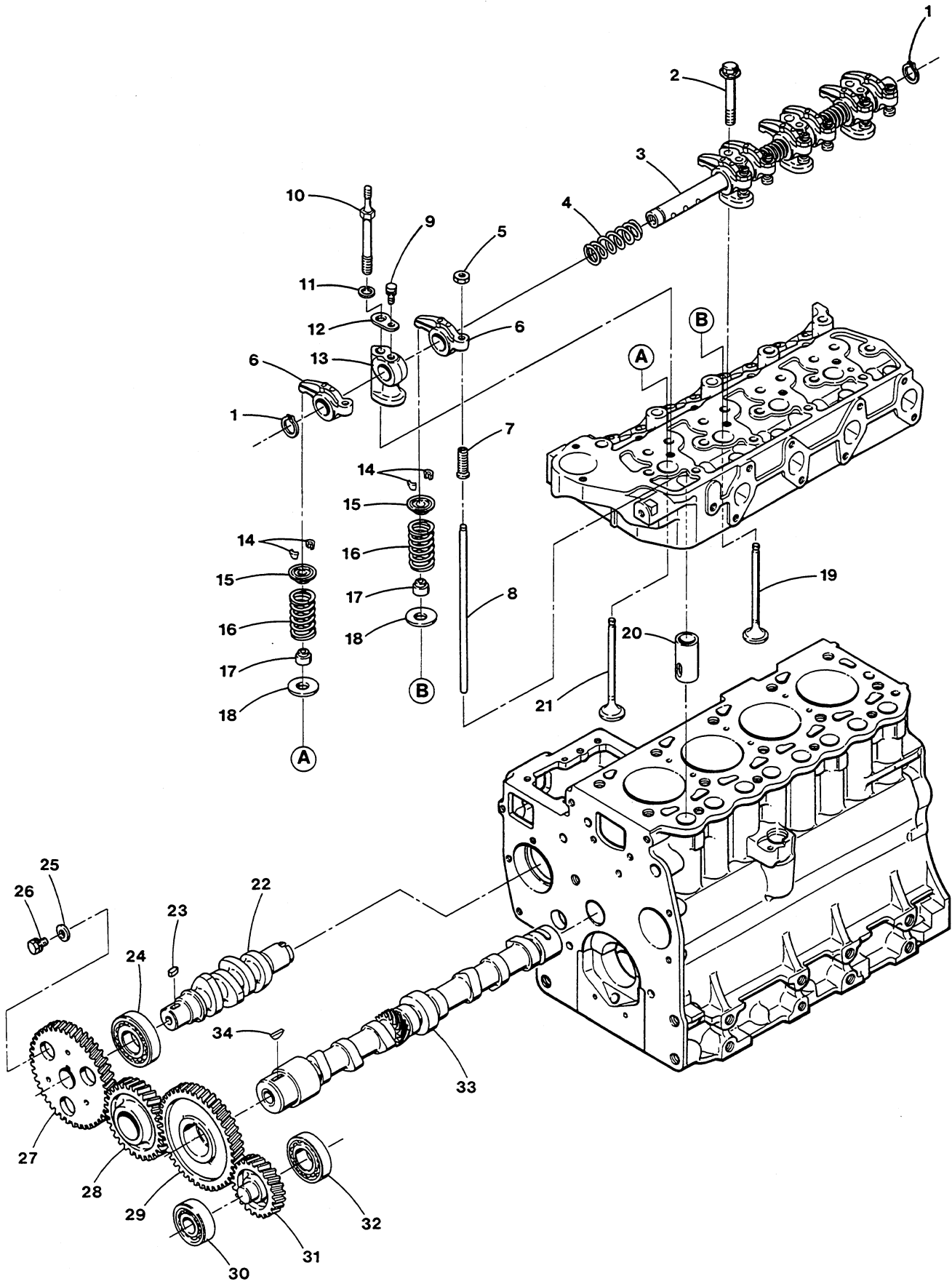
8.0 BTDR - 10.0 BTDR - 11.0 BTDR - 12.5 BTDR - CRANKSHAFT AND PISTONS



8.0 BTDR - 10.0 BTDR - 11.0 BTDR - 12.5 BTDR - CRANKSHAFT AND PISTONS

REF	PN	NAME	REMARKS	QUAN
8-1	030231	NUT	CONNECTING ROD BOLT 3 CYLINDER	6
8-2	030231	NUT	CONNECTING ROD BOLT 4 CYLINDER	8
9-1	030535	CRANKSHAFT	8.0 BTDR	1
9-2	037655	CRANKSHAFT	10.0 BTDR	1
9-3	030537	CRANKSHAFT	11.0 BTDR	1
9-4	037656	CRANKSHAFT	12.5 BTDR	1
10	030275	KEY		2
11	030416	GEAR	CRANKSHAFT	1
12	039510	HUB	CRANKSHAFT PULLEY ADAPTER	1
13	032175	WASHER	FLAT M18	1
14	032176	LOCKWASHER	M18	1
15	032172	NUT	M18	1
16-1	039511	PULLEY	CRANKSHAFT 3 CYLINDER	1
16-2	039513	PULLEY	CRANKSHAFT 4 CYLINDER	1

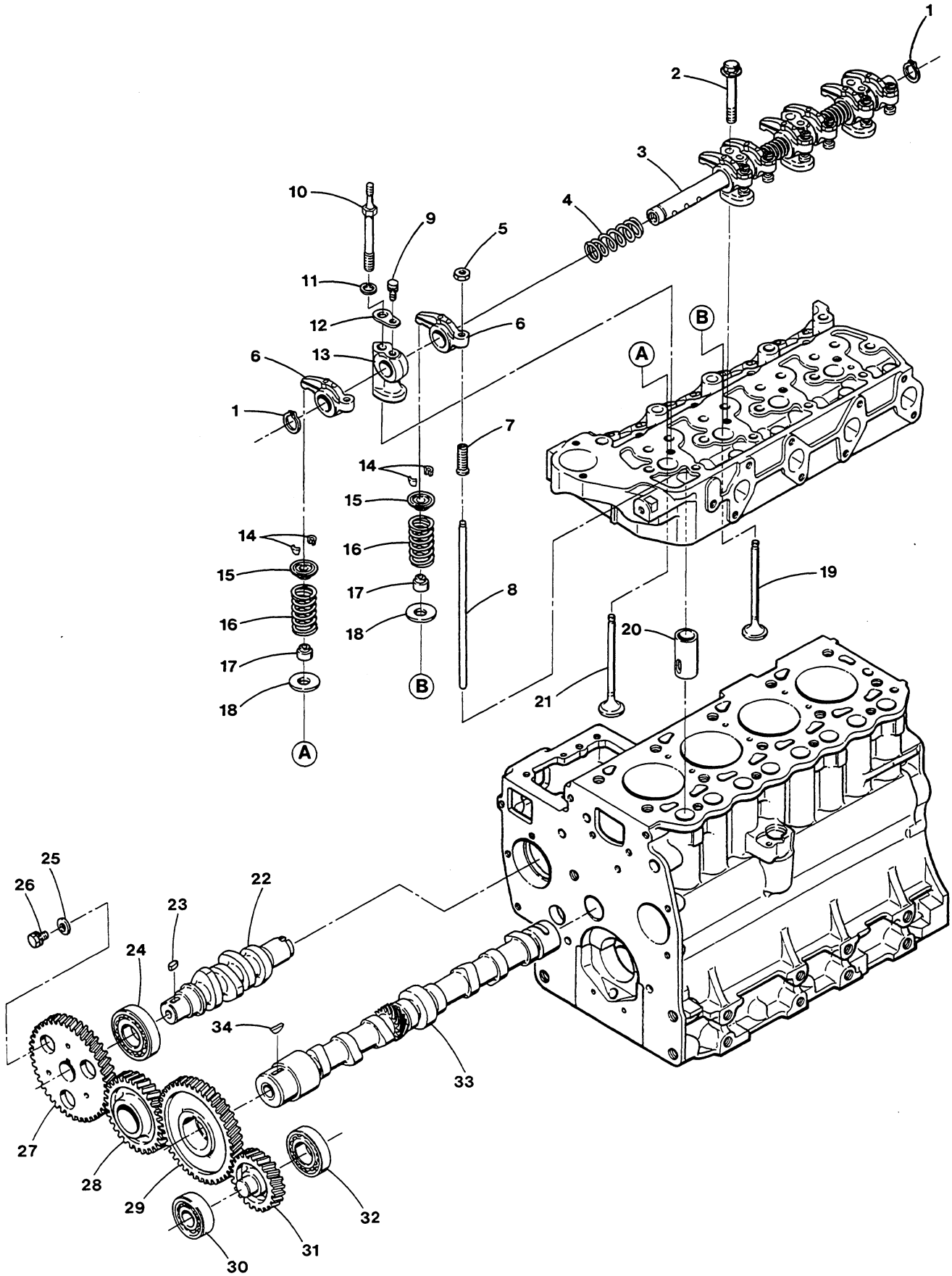
8.0 BTDR - 10 BTDR - 11.0 BTDR - 12.5 BTDR - CAMSHAFT - ROCKER SHAFT



8.0 BTDR - 10 BTDR - 11.0 BTDR - 12.5 BTDR - CAMSHAFT - ROCKER SHAFT

REF	PN	NAME	REMARKS	QUAN
1	030279	SNAPRING		2
2-2	031821	CAPSCREW	M10 x 1.25 x 70 DIN 961 3 CYLINDER	1
3-1	030543	SHAFT	ROCKER ASSEMBLY 3 CYLINDER	1
3-2	030544	SHAFT	ROCKER ASSEMBLY 4 CYLINDER	1
4-1	030232	SPRING	ROCKER SHAFT 3 CYLINDER	2
4-2	030232	SPRING	ROCKER SHAFT 4 CYLINDER	3
5-1	031804	NUT	M10 X 1.25 JAM 3 CYLINDER	6
5-2	031804	NUT	M10 X 1.25 JAM 4 CYLINDER	8
6-1	030438	ROCKER	ARM 3 CYLINDER	6
6-2	030438	ROCKER	ARM 4 CYLINDER	8
7-1	030195	SCREW	ADJUSTING 3 CYLINDER	6
7-2	030195	SCREW	ADJUSTING 4 CYLINDER	8
8-1	030542	PUSHROD	3 CYLINDER	6
8-2	030542	PUSHROD	4 CYLINDER	8
9	035800	CAPSCREW	M 6 X 16 JIS INCL LOCKWASHER	2
10	030545	STUD	BRACKET AND COVER	2
11	019262	LOCKWASHER	M10 DIN 127	2
12	030440	WASHER		2
13-1	030299	BRACKET	ROCKER SHAFT 3 CYLINDER	3
13-2	030299	BRACKET	ROCKER SHAFT 4 CYLINDER	4
14-1	030241	LOCK	VALVE 3 CYLINDER	12
14-2	030241	LOCK	VALVE 4 CYLINDER	16
15-1	030240	SEAT	VALVE SPRING UPPER 3 CYLINDER	6
15-2	030240	SEAT	VALVE SPRING UPPER 4 CYLINDER	8
16-1	030346	SPRING	VALVE 3 CYLINDER	6
16-2	030346	SPRING	VALVE 4 CYLINDER	8
17-1	030242	SEAL	OIL 3 CYLINDER	6
17-2	030242	SEAL	OIL 4 CYLINDER	8
18-1	037654	SEAT	VALVE SPRING LOWER 3 CYLINDER	6
18-2	037654	SEAT	VALVE SPRING LOWER 4 CYLINDER	8
19-1	038932	VALVE	EXHAUST 26.2 MM DIA 3 CYLINDER	3
19-2	038932	VALVE	EXHAUST 26.2 MM DIA 4 CYLINDER	4
20-1	030361	TAPPET	3 CYLINDER	6
20-2	030361	TAPPET	4 CYLINDER	8
21-1	038931	VALVE	INTAKE 31.2 MM DIA 3 CYLINDER	3
21-2	038931	VALVE	INTAKE 26.2 MM DIA 4 CYLINDER	4
22-1	030546	CAMSHAFT	INJECTION PUMP 3 CYLINDER	1
22-2	030547	CAMSHAFT	INJECTION PUMP 4 CYLINDER	1
23	030273	KEY	GEAR TO SHAFT	1

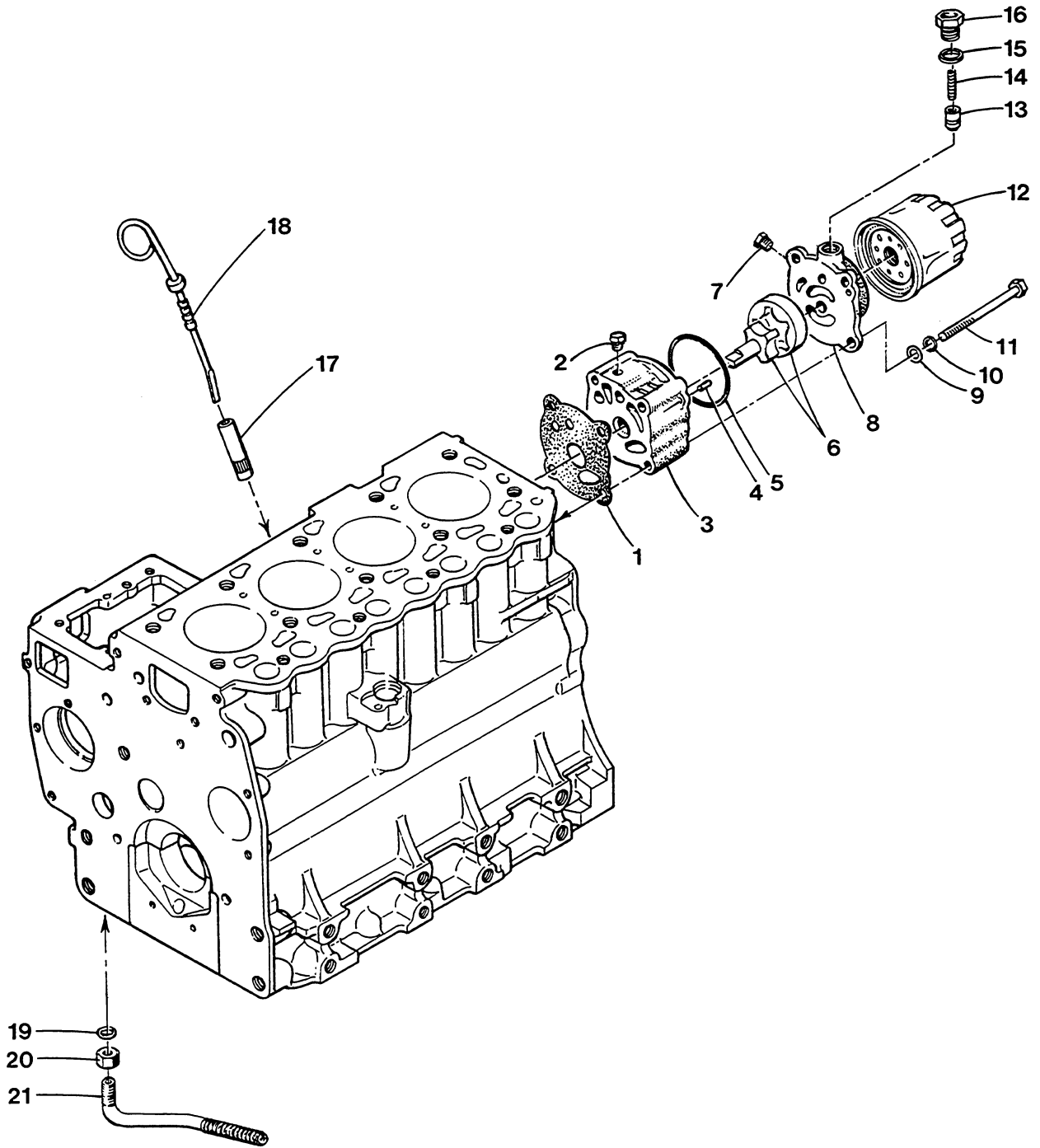
8.0 BTDR - 10 BTDR - 11.0 BTDR - 12.5 BTDR - CAMSHAFT - ROCKER SHAFT



8.0 BTDR - 10 BTDR - 11.0 BTDR - 12.5 BTDR - CAMSHAFT - ROCKER SHAFT

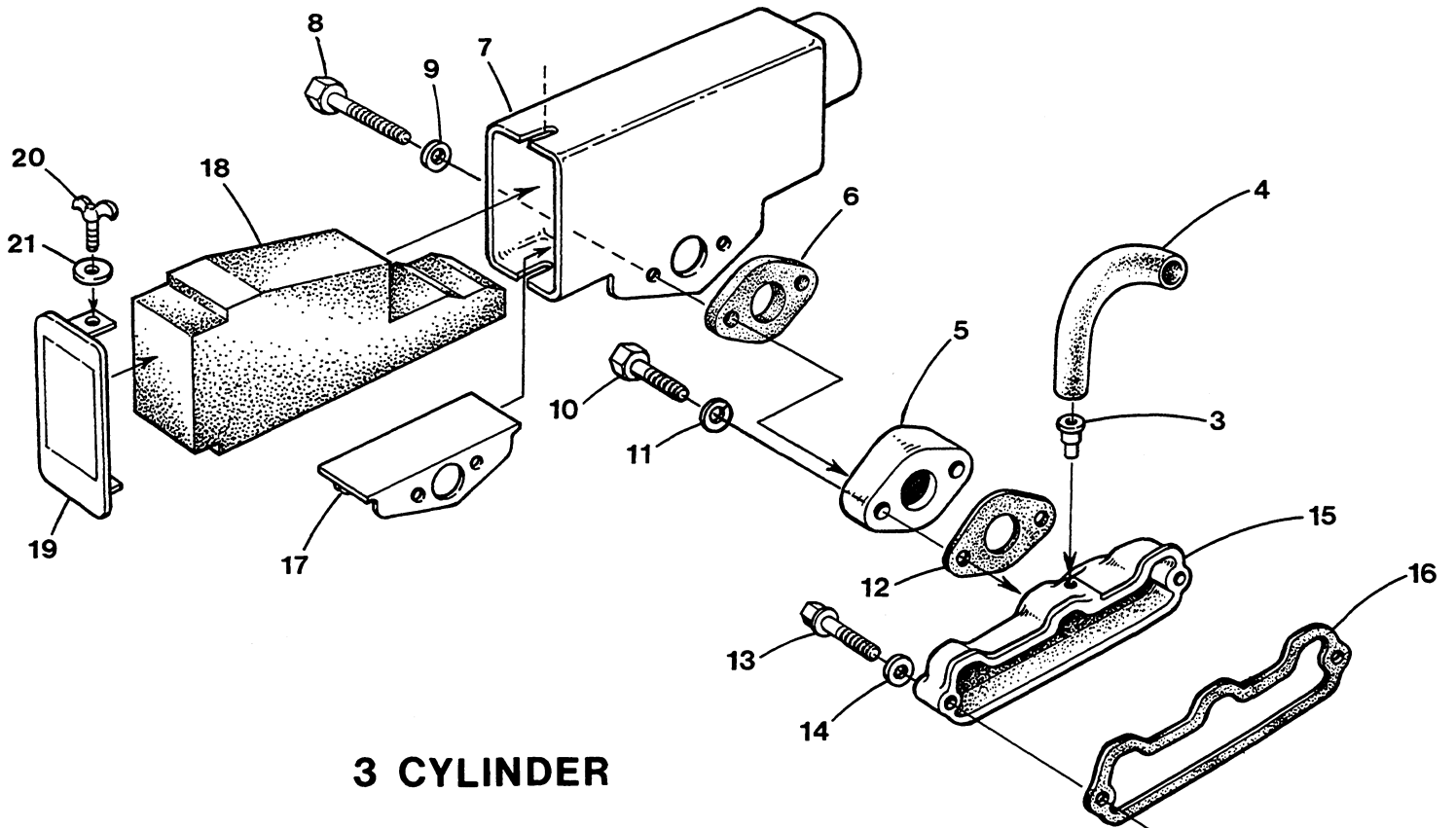
REF	PN	NAME	REMARKS	QUAN
24	030434	BEARING	INJECTION PUMP CAMSHAFT	1
25-1	031787	WASHER	M 8 DIN 125	1
25-2	031786	LOCKWASHER	M 8 DIN 127	1
26	016789	CAPSCREW	M 8 X 16 DIN 933	1
27	030435	GEAR	INJECTION PUMP CAMSHAFT	1
28	030541	GEAR	IDLER	1
29	030437	GEAR	CAMSHAFT	1
30	030202	BEARING	PUMP GEAR	1
31	030590	GEAR	RAW WATER PUMP DRIVE	1
32	030198	BEARING	PUMP GEAR	1
33-1	037280	CAMSHAFT	3 CYLINDER	1
33-2	037279	CAMSHAFT	4 CYLINDER	1
34	030275	KEY	GEAR TO CAMSHAFT	1

8.0 BTDR - 10.0 BTDR - 11.0 BTDR - 12.5 BTDR - LUBE OIL PUMP

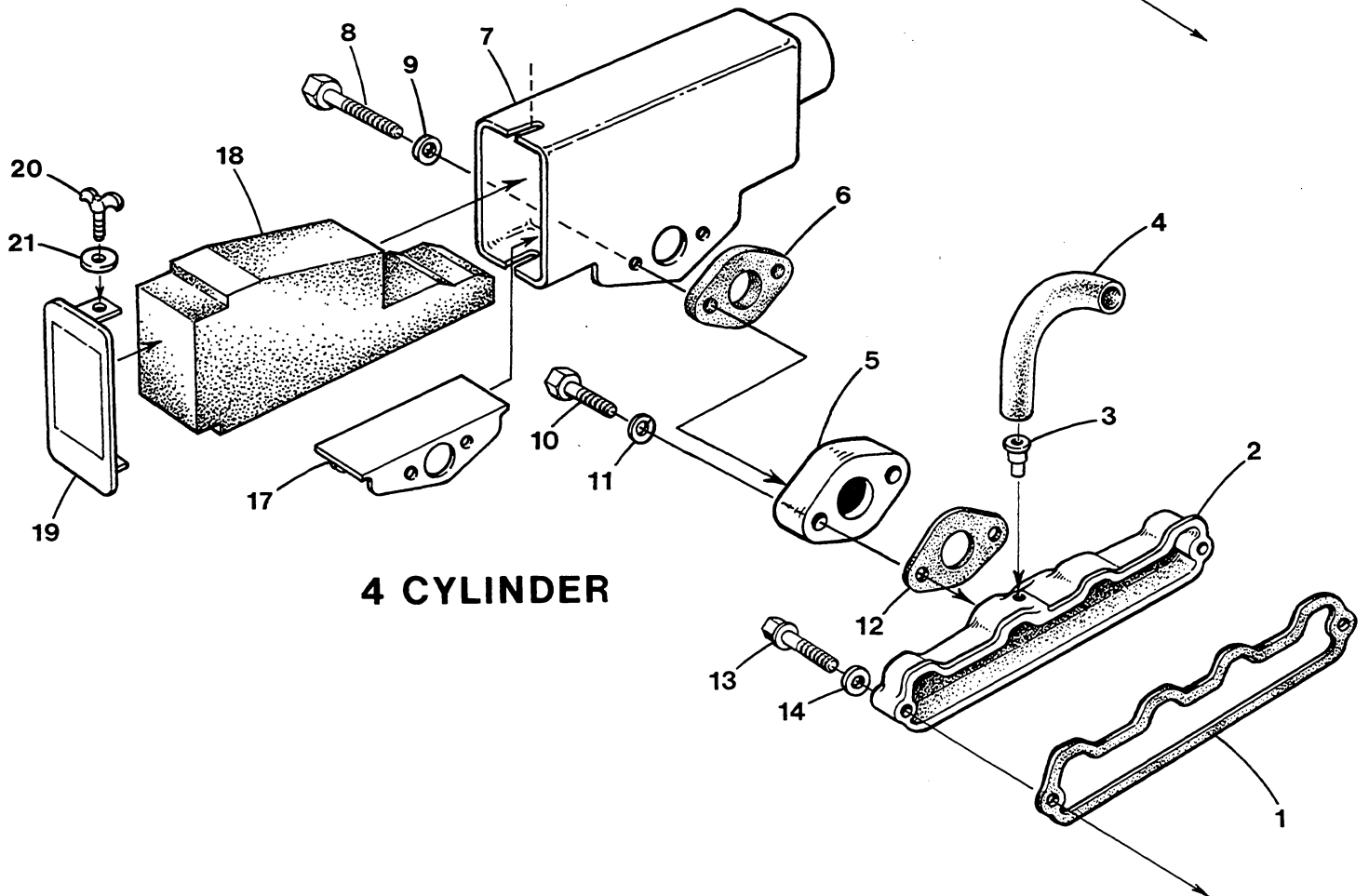


8.0 BTDR - 10.0 BTDR - 11.0 BTDR - 12.5 BTDR - LUBE OIL PUMP

REF	PN	NAME	REMARKS	QUAN
1	030458	GASKET	OIL PUMP TO BLOCK	1
2	030711	PLUG	1/8BSPT DIN 906	1
3-1	030581	PUMP	OIL REF 2-16 EXCEPT 9-11	1
3-2	030582	HOUSING	OIL PUMP	1
4	030224	DOWEL	HOUSING TO COVER	2
5	030464	O-RING	HOUSING TO COVER	1
6	030459	ROTOR	ASSEMBLY	1
7	030712	PLUG	1/4BSPT DIN 906	1
8	030463	COVER	OIL PUMP	1
9	031787	WASHER	M 8 DIN 125	4
10	031786	LOCKWASHER	M 8 DIN 127	4
11	031812	CAPSCREW	M 8 X 65 DIN 931	4
12-1	036918	FILTER	LUBE OIL 3 CYLINDER	1
12-2	035828	FILTER	LUBE OIL 4 CYLINDER	1
13	030244	PLUNGER	RELIEF VALVE	1
14	030584	SPRING	RELIEF VALVE	1
15	030225	GASKET	RELIEF VALVE	1
16	030461	PLUG	RELIEF VALVE	1
17	030391	TUBE	DIPSTICK	1
18	030587	DIPSTICK		1
19	033280	WASHER	OIL PICKUP TUBE	1
20	033538	NUT	M16 X 1.5 JAM	1
21-1	033282	TUBE	OIL PICKUP 3 CYLINDER	1
21-2	033283	TUBE	OIL PICKUP 4 CYLINDER	1



3 CYLINDER

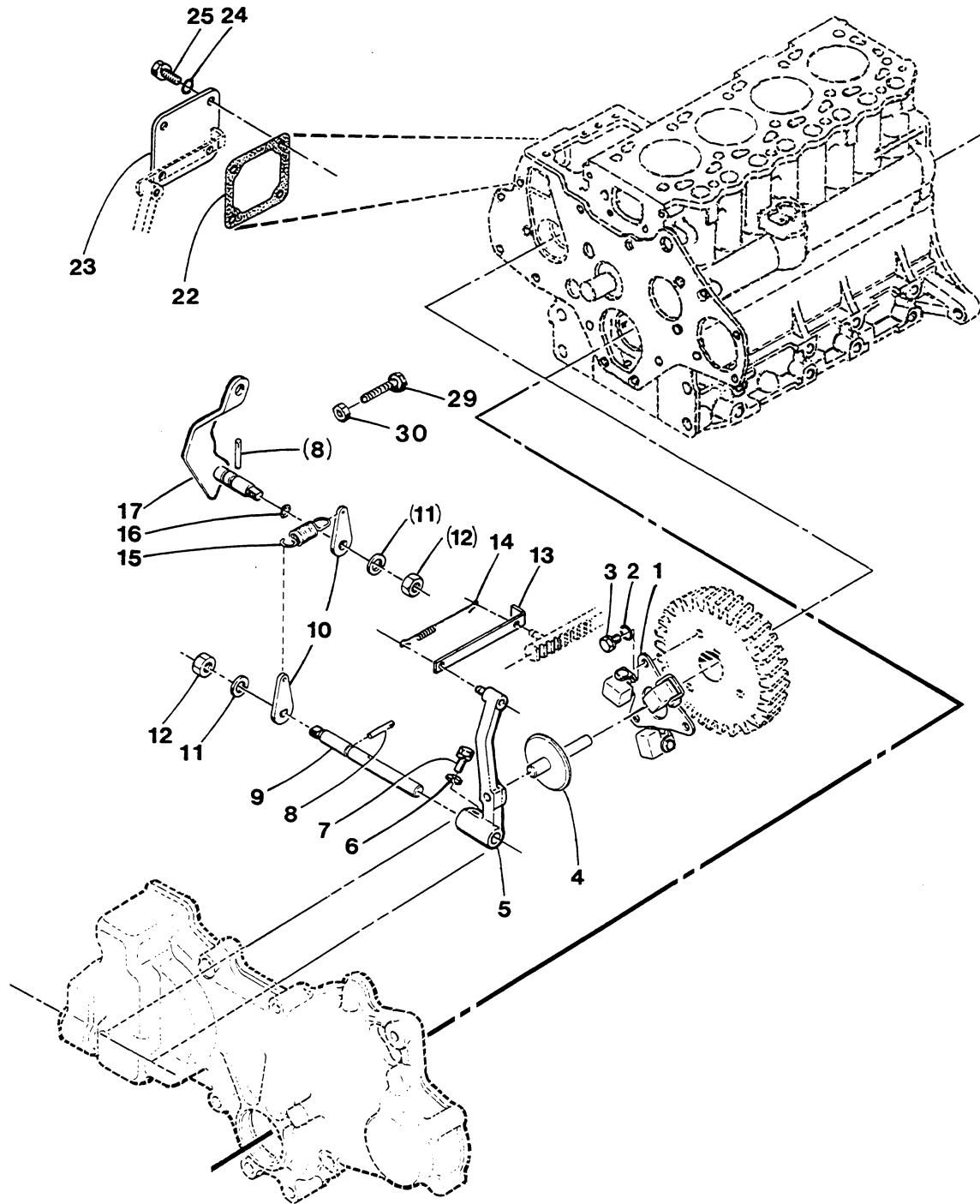


4 CYLINDER

8.0 BTDR - 10.0 BTDR - 11.0 BTDR - 12.5 BTDR - INTAKE MANIFOLD

REF	PN	NAME	REMARKS	QUAN
1	030521	GASKET	INTAKE MANIFOLD TO HEAD 4 CYLINDER	1
2	030519	MANIFOLD	INTAKE 4 CYLINDER	1
3	030219	NIPPLE	BREATHER HOSE TO MANIFOLD	1
4	032171	HOSE	BREATHER	1
5	034238	ADAPTER	AIR FILTER TO MANIFOLD	1
6	034612	GASKET	AIR FILTER TO ADAPTER	1
7-1	039506	FILTER	AIR INTAKE 8 BTDR	1
7-2	039507	FILTER	AIR INTAKE 10 BTDR,11 BTDR,12.5 BTDR	1
8	031561	CAPSCREW	5/16NC X 2-1/2	2
9	031758	LOCKWASHER	5/16	2
10	018812	CAPSCREW	M 8 X 70 DIN 931	2
11	031786	LOCKWASHER	M 8 DIN 127	2
12	034668	GASKET	ADAPTER TO MANIFOLD	1
13	018811	CAPSCREW	M 8 X 40 DIN 931	2
14	031786	LOCKWASHER	M 8 DIN 127	2
16	030518	MANIFOLD	INTAKE 3 CYLINDER	1
17	039492	SCREEN		1
18	039428	FOAM	AIR FILTER ELEMENT	1
19	039488	COVER	FILTER END	1
20	033228	WINGSCREW	10-32 X 1/2	2
21	033372	WASHER		2

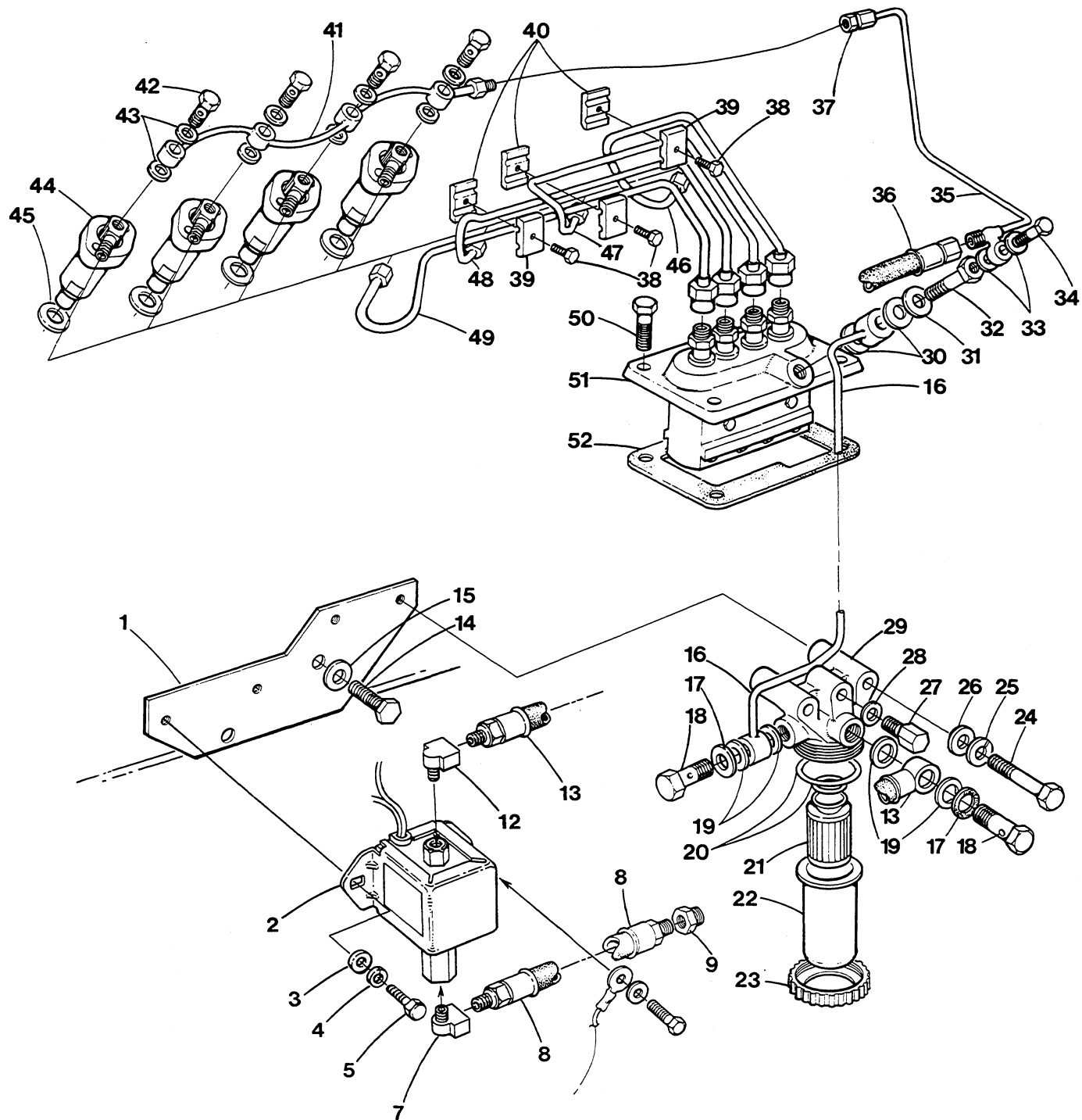
8.0 BTDR - 10.0 BTDR - 11.0 BTDR - 12.5 BTDR - GOVERNOR SYSTEM



8.0 BTDR - 10.0 BTDR - 11.0 BTDR - 12.5 BTDR - GOVERNOR SYSTEM

REF	PN	NAME	REMARKS	QUAN
1	030449	WEIGHT	ASSEMBLY-GOVERNOR	1
2	031783	LOCKWASHER	M 6 DIN 127	3
3	015816	CAPSCREW	M 6 X 10 DIN 933	3
4	033799	SHAFT	ASSEMBLY-SLIDING	1
5	030452	LEVER	GOVERNOR	1
6	031783	LOCKWASHER	M 6 DIN 127	1
7	031810	CAPSCREW	M 6 X 14 DIN 933	1
8	030208	PIN	GROOVED	2
9	030453	SHAFT	GOVERNOR	1
10	030454	LEVER	GOVERNOR SPRING	2
11	031786	LOCKWASHER	M 8 DIN 127	2
12	031802	NUT	M 8 JAM	2
13	037657	ROD	TIE	1
14	037658	SPRING	TIE ROD	1
15	030385	SPRING	GOVERNOR	1
16	030277	O-RING		1
17	030575	LEVER	SPEED CONTROL	1
22	030578	GASKET	TIE ROD COVER	1
23	030577	COVER	TIE ROD	1
24	031783	LOCKWASHER	M 6 DIN 127	4
25	031810	CAPSCREW	M 6 X 14 DIN 933	4
29	020628	CAPSCREW	M 6 X 25 DIN 933 SPEED ADJUSTING	1
30	031801	NUT	M 6 JAM	1

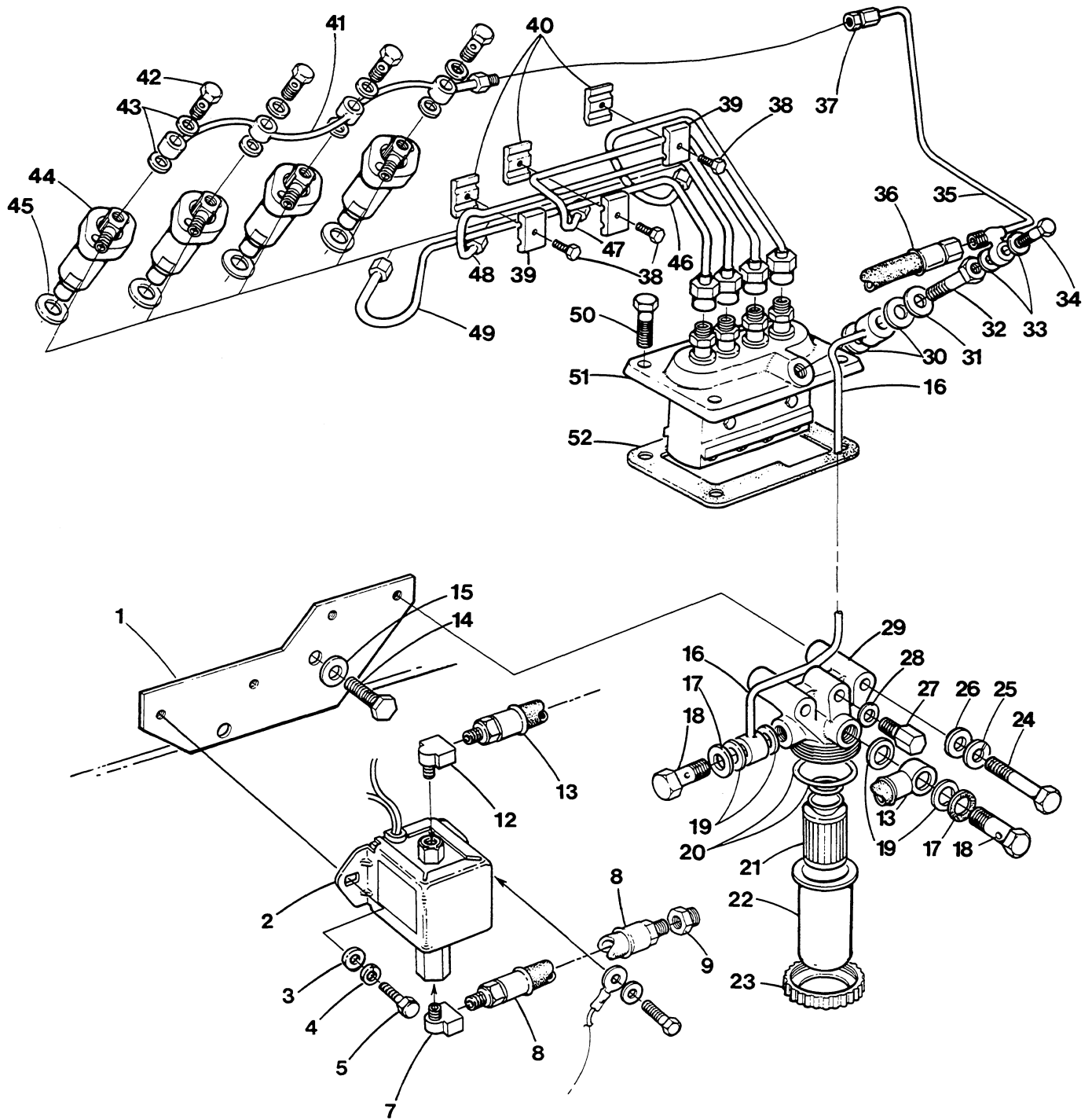
8.0 BTDR - 10.0 BTDR - 11.0 BTDR - 12.5 BTDR - FUEL SYSTEM



8.0 BTDR - 10.0 BTDR - 11.0 BTDR - 12.5 BTDR - FUEL SYSTEM

REF	PN	NAME	REMARKS	QUAN
1	034235	BRACKET	LIFT PUMP AND FILTER	1
2	039275	PUMP	FUEL LIFT 12VDC	1
3	031753	WASHER	FLAT 1/4	2
4	031752	LOCKWASHER	1/4	2
5	031506	CAPSCREW	1/4NC X 1-1/4	2
7	013340	ELBOW	1/8 NPT STREET	1
8	030025	HOSE	FUEL SUPPLY 1/8 NPT	1
9	015289	ADAPTER	INCLUDED WITH HOSE	1
12	022513	ELBOW	1/8 NPT TO HOSE	1
13	039159	HOSE	LIFT PUMP TO FILTER INCL REF 12	1
14	024959	CAPSCREW	M12 X 1.25 X 25 DIN 961	2
15	031792	LOCKWASHER	M12 DIN 127	2
16-1	034420	LINE	FILTER TO INJECTION PUMP 3 CYLINDER	1
16-2	036471	LINE	FILTER TO INJECTION PUMP 4 CYLINDER	1
17	024972	WASHER	M14 ALUMINUM	2
18	024984	BOLT	BANJO	2
19	030291	WASHER	BANJO M14	4
20	032406	KIT	O-RING	1
21	030200	ELEMENT	FUEL FILTER INCLUDING O-RINGS	1
22	030199	CUP	FUEL FILTER	1
23	030212	RETAINER	FUEL FILTER CUP	1
24	031560	CAPSCREW	5/16NC X 2-1/4	2
25	031758	LOCKWASHER	5/16	2
26	031759	WASHER	FLAT 5/16	2
27	030213	SCREW	FUEL FILTER BLEED	1
28	030289	WASHER	FUEL FILTER BLEED SCREW	1
29-1	030210	FILTER	FUEL	1
29-2	030211	HEAD	FUEL FILTER	1
30	030291	WASHER	BANJO M14	2
31	024972	WASHER	M14 ALUMINUM	1
32-1	024916	BOLT	BANJO 3 CYLINDER	1
32-2	024915	BOLT	BANJO 4 CYLINDER	1
33	030289	WASHER	BANJO M 8	2
34	016988	BOLT	BANJO M 8	1
35	034610	LINE	INJECTOR LEAK-OFF TO PUMP	1
36	034857	HOSE	FUEL RETURN	1
37-1	024600	UNION	COMPRESSION INCL NUTS & FERRULES	1
37-2	013343	FERRULE		2
37-3	013344	NUT	COMPRESSION	2
38	020628	CAPSCREW	M 6 X 25 DIN 933	2
39	030315	CLAMP	FUEL LINE	2
40	030316	CLAMP	FUEL LINE	2

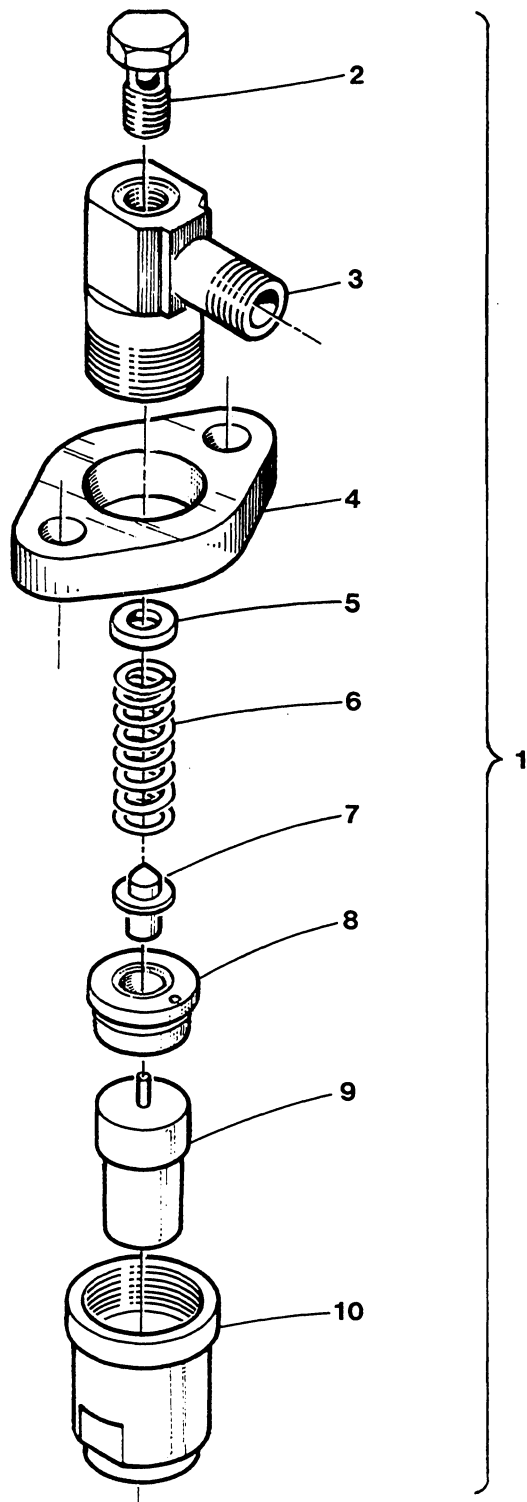
8.0 BTDR - 10.0 BTDR - 11.0 BTDR - 12.5 BTDR - FUEL SYSTEM



8.0 BTDR - 10.0 BTDR - 11.0 BTDR - 12.5 BTDR - FUEL SYSTEM

REF	PN	NAME	REMARKS	QUAN
41-1	030569	LINE	INJECTOR LEAK-OFF 3 CYLINDER	1
41-2	030570	LINE	INJECTOR LEAK-OFF 4 CYLINDER	1
42-1	016988	BOLT	BANJO M 8 3 CYLINDER	3
42-2	016988	BOLT	BANJO M 8 4 CYLINDER	4
43-1	030289	WASHER	BANJO M 8 3 CYLINDER	6
43-2	030289	WASHER	BANJO M 8 4 CYLINDER	8
44-1	030538	INJECTOR	FUEL 3 CYLINDER	3
44-2	030538	INJECTOR	FUEL 4 CYLINDER	4
45-1	030193	GASKET	INJECTOR 3 CYLINDER	3
45-2	030193	GASKET	INJECTOR 4 CYLINDER	4
46-1	030571	LINE	INJECTOR 1 8 BTDR	1
46-2	037663	LINE	INJECTOR 1 10 BTDR, 11 BTDR, 12.5 BTDR	1
47-1	030572	LINE	INJECTOR 2 8 BTDR	1
47-2	037664	LINE	INJECTOR 2 10 BTDR, 11 BTDR, 12.5 BTDR	1
48-1	030573	LINE	INJECTOR 3 8 BTDR	1
48-2	037665	LINE	INJECTOR 3 10 BTDR, 11 BTDR, 12.5 BTDR	1
49	037666	LINE	INJECTOR 4 11 BTDR, 12.5 BTDR	1
50-1	017196	CAPSCREW	M 8 X 20 DIN 933 3 CYLINDER	4
50-2	017196	CAPSCREW	M 8 X 20 DIN 933 4 CYLINDER	6
51-1	030549	PUMP	FUEL INJECTION 8 BTDR	1
51-2	037697	PUMP	FUEL INJECTION 10 BTDR	1
51-3	037689	PUMP	FUEL INJECTION 11 BTDR	1
51-4	037695	PUMP	FUEL INJECTION 12.5 BTDR	1
52-01	030560	SHIM	0.2MM 3 CYLINDER	AR
52-02	030561	SHIM	0.3MM 3 CYLINDER	AR
52-03	030562	SHIM	0.4MM 3 CYLINDER	AR
52-04	030563	SHIM	0.5MM 3 CYLINDER	AR
52-05	030564	SHIM	0.6MM 3 CYLINDER	AR
52-06	030565	SHIM	0.7MM 3 CYLINDER	AR
52-07	030566	SHIM	0.8MM 3 CYLINDER	AR
52-08	030567	SHIM	0.9MM 3 CYLINDER	AR
52-09	030568	SHIM	1.0MM 3 CYLINDER	AR
52-10	030551	SHIM	0.2MM 4 CYLINDER	AR
52-11	030552	SHIM	0.3MM 4 CYLINDER	AR
52-12	030553	SHIM	0.4MM 4 CYLINDER	AR
52-13	030554	SHIM	0.5MM 4 CYLINDER	AR
52-14	030555	SHIM	0.6MM 4 CYLINDER	AR
52-15	030556	SHIM	0.7MM 4 CYLINDER	AR
52-16	030557	SHIM	0.8MM 4 CYLINDER	AR
52-17	030558	SHIM	0.9MM 4 CYLINDER	AR
52-18	030559	SHIM	1.0MM 4 CYLINDER	AR
53	033093	KIT	FUEL HARDWARE	1

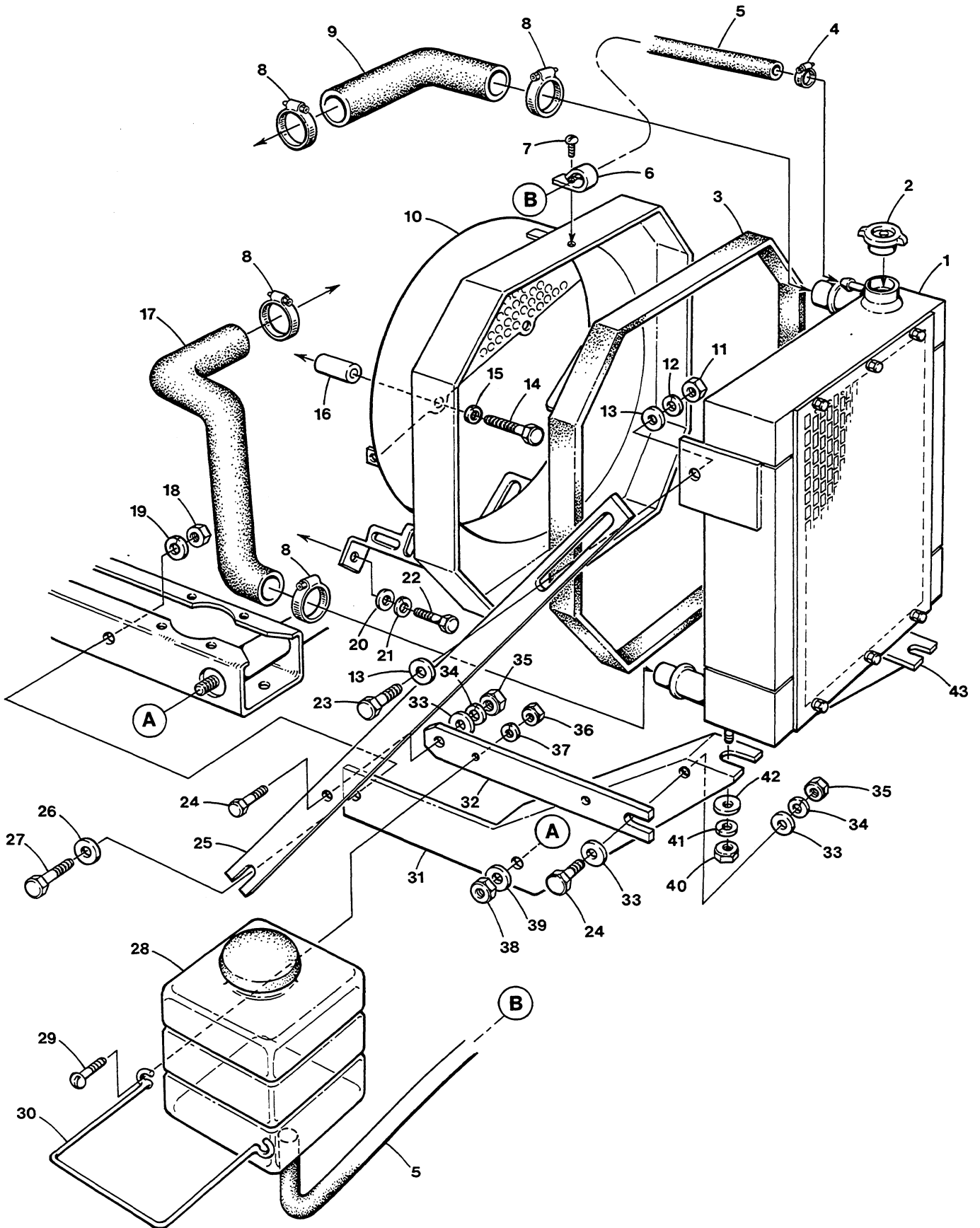
8.0 BTDR - 10.0 BTDR - 11.0 BTDR - 12.5 BTDR - FUEL INJECTOR



8.0 BTDR - 10.0 BTDR - 11.0 BTDR - 12.5 BTDR - FUEL INJECTOR

REF	PN	NAME	REMARKS	QUAN
1	030538	INJECTOR	ASSEMBLY	1
2	016988	BOLT	BANJO M 8	1
3	030684	BODY		1
4	030629	FLANGE		1
5-1	030621	SHIM	1.30MM	AR
5-2	030622	SHIM	1.35MM	AR
5-3	030623	SHIM	1.40MM	AR
5-4	030624	SHIM	0.90MM	AR
5-5	030625	SHIM	1.00MM	AR
5-6	030626	SHIM	1.10MM	AR
5-7	030627	SHIM	1.20MM	AR
5-8	030628	SHIM	0.10MM	AR
6	030598	SPRING	PRESSURE	1
7	030597	PIN	PRESSURE	1
8	030599	SPACER		1
9	030297	NOZZLE	ASSEMBLY	1
10	030630	NUT	RETAINING	1

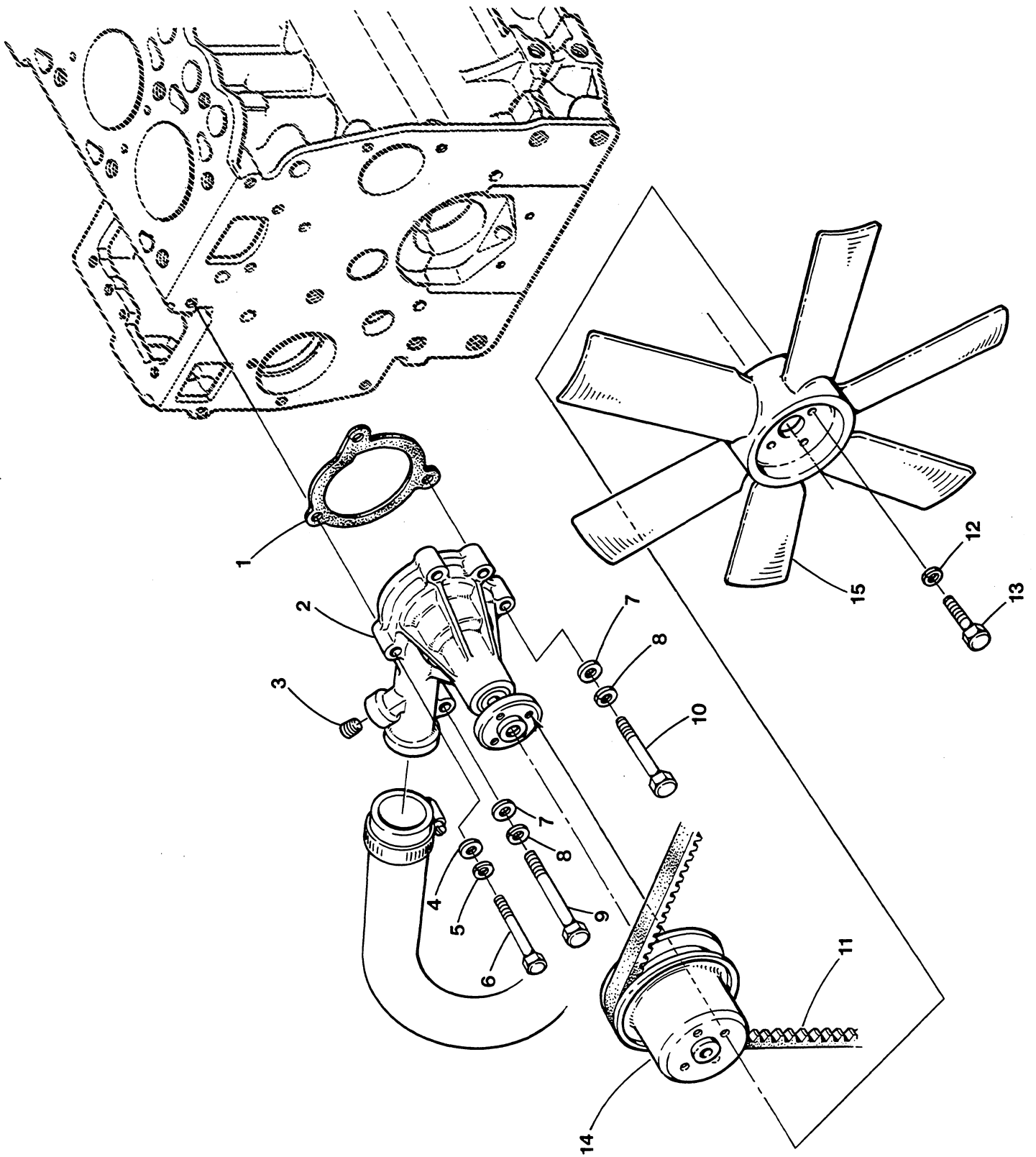
8.0 BTDR - 10.0 BTDR - 11.0 BTDR - 12.5 BTDR - COOLING SYSTEM



8.0 BTDR - 10.0 BTDR - 11.0 BTDR - 12.5 BTDR - COOLING SYSTEM

REF	PN	NAME	REMARKS	QUAN
1	039410	RADIATOR		1
2	024306	CAP	PRESSURE	1
3	039479	GASKET	RADIATOR SHROUD - INCHES REQUIRED	62
4	024906	CLAMP	HOSE MINIATURE	2
5	024637	TUBING	COOLANT RECOVERY TANK - INCHES REQUIRED	60
6	013736	CLAMP	TUBING SUPPORT	3
7	039609	SCREW	10-32 X 3/8 TAPPING	1
8	021878	CLAMP	HOSE 20	4
9	024304	HOSE	THERMOSTAT TO RADIATOR	1
10	039421	SHROUD	FAN AND BELT GUARD	1
11	031762	NUT	3/8NC	2
12	031764	LOCKWASHER	3/8	2
13	031765	WASHER	FLAT 3/8	4
14	031816	CAPSCREW	M 8 X 100 DIN 931	1
15	031835	LOCKWASHER	M 8 DIN 6797J	1
16	039305	SPACER		1
17	039348	HOSE	RADIATOR TO FRESH WATER PUMP	1
18	031774	NUT	1/2NC	2
19	031776	LOCKWASHER	1/2	2
20	031798	WASHER	M14 DIN 125	2
21	031797	LOCKWASHER	M14 DIN 127	2
22	024965	CAPSCREW	M14 X 1.5 X 20 DIN 961	2
23	031605	CAPSCREW	3/8NC X 1	2
24	031553	CAPSCREW	5/16NC X 3/4	2
25	038958	STRUT	RADIATOR SUPPORT	2
26	031777	WASHER	FLAT 1/2	2
27	031706	CAPSCREW	1/2NC X 1-1/4	2
28	024977	TANK KIT	COOLANT RECOVERY INCL REF 4,5,30	1
29	031872	SCREW	10-32 X 1/2 BINDING HEAD SS	2
30	024786	STRAP	COOLANT RECOVERY TANK MOUNT	1
31-1	039432	BRACKET	RADIATOR SUPPORT RIGHT 3 CYLINDER	1
31-2	039503	BRACKET	RADIATOR SUPPORT RIGHT 4 CYLINDER	1
32	039604	BRACKET	COOLANT RECOVERY TANK	1
33	031759	WASHER	FLAT 5/16	3
34	031758	LOCKWASHER	5/16	2
35	031756	NUT	5/16NC	2
36	031847	NUT	10-32 HEX SS	2
37	031849	LOCKWASHER	10	2
38	031774	NUT	1/2NC	2
39	031776	LOCKWASHER	1/2	2
40	031762	NUT	3/8NC	2
41	031764	LOCKWASHER	3/8	2
42	031765	WASHER	FLAT 3/8	2
43-1	039431	BRACKET	RADIATOR SUPPORT LEFT 3 CYLINDER	1
43-2	039502	BRACKET	RADIATOR SUPPORT LEFT 4 CYLINDER	1

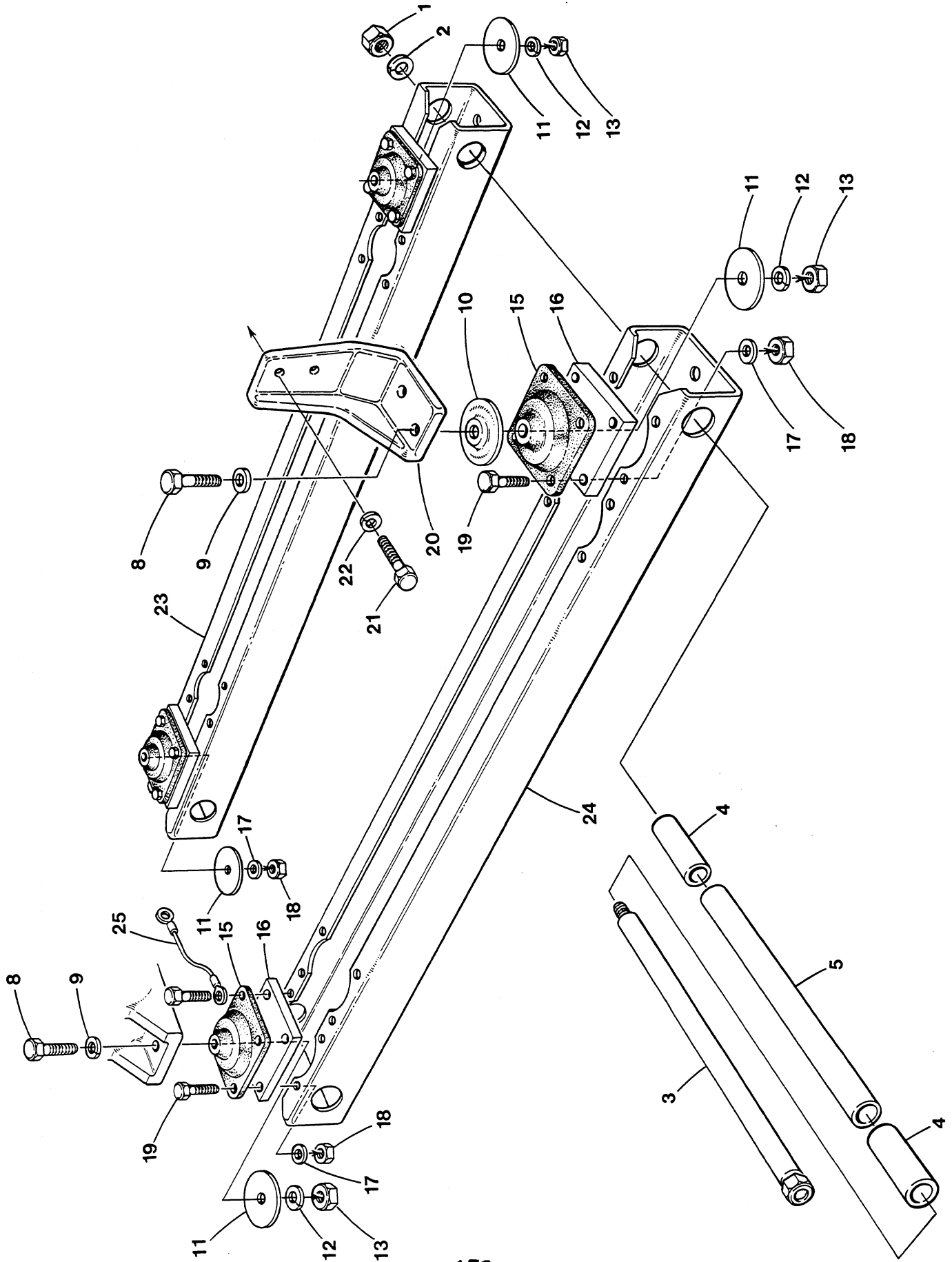
8.0 BTDR - 10.0 BTDR - 11.0 BTDR - 12.5 BTDR - FRESH WATER PUMP



8.0 BTDR - 10.0 BTDR - 11.0 BTDR - 12.5 BTDR - FRESH WATER PUMP

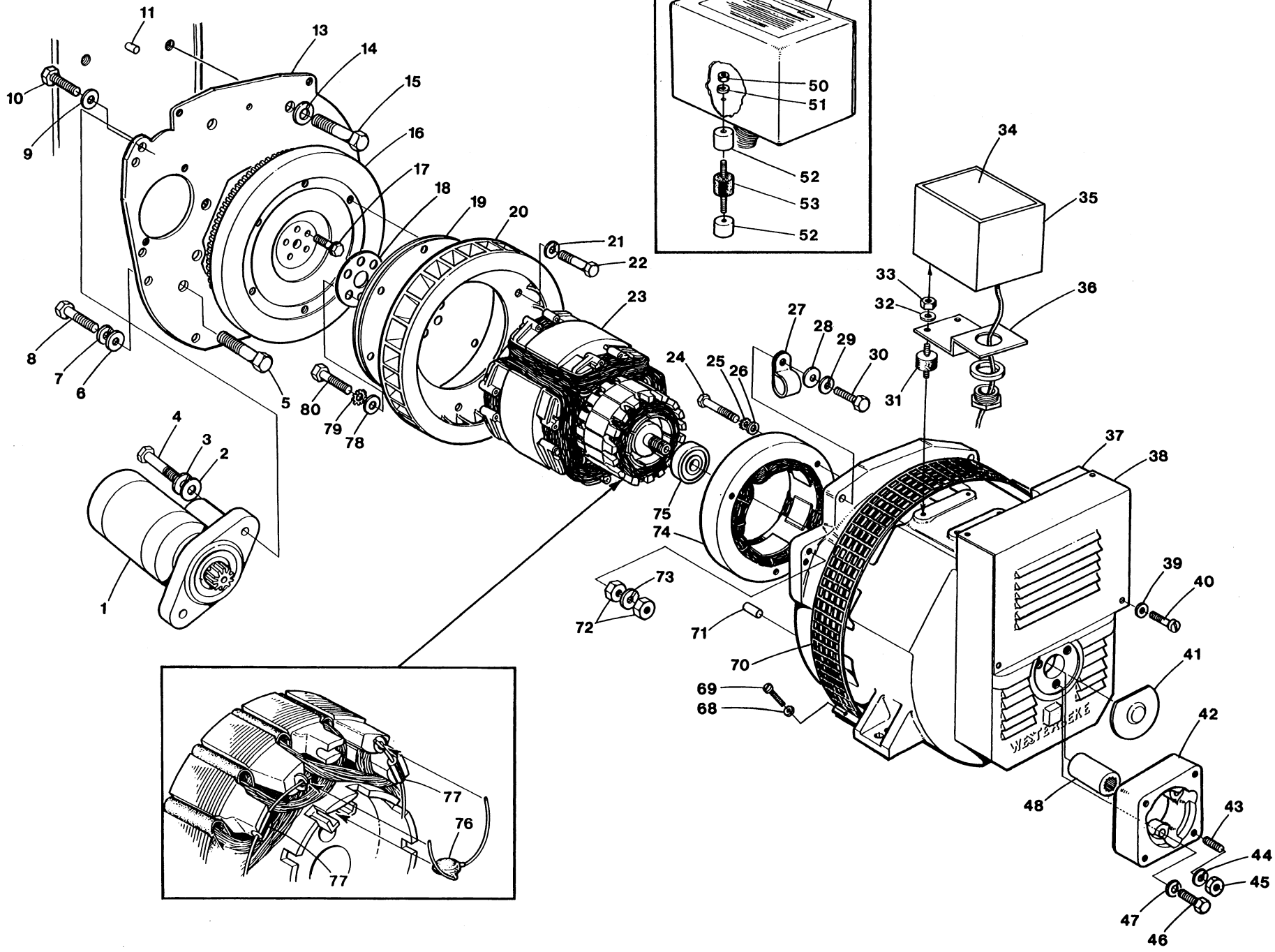
REF	PN	NAME	REMARKS	QUAN
1	030474	GASKET	WATER PUMP TO BLOCK	1
2	030591	PUMP	FRESH WATER	1
3	030710	PLUG	3/8BSPT DIN 906	1
4	031784	WASHER	M 6 DIN 125	2
5	031783	LOCKWASHER	M 6 DIN 127	2
6	013590	CAPSCREW	M 6 X 30 DIN 933	2
7	031787	WASHER	M 8 DIN 125	4
8	031786	LOCKWASHER	M 8 DIN 127	4
9	031225	CAPSCREW	M 8 X 60 DIN 931	1
10	024948	CAPSCREW	M 8 X 45 DIN 931	3
11	300817	BELT		1
12	031783	LOCKWASHER	M 6 DIN 127	4
13	017012	CAPSCREW	M 6 X 16 DIN 933	4
14	030386	PULLEY	FRESH WATER PUMP	1
15	038995	FAN		1

8.0 BTDR - 10.0 BTDR - 11.0 BTDR - 12.5 BTDR - MOUNTING SYSTEM



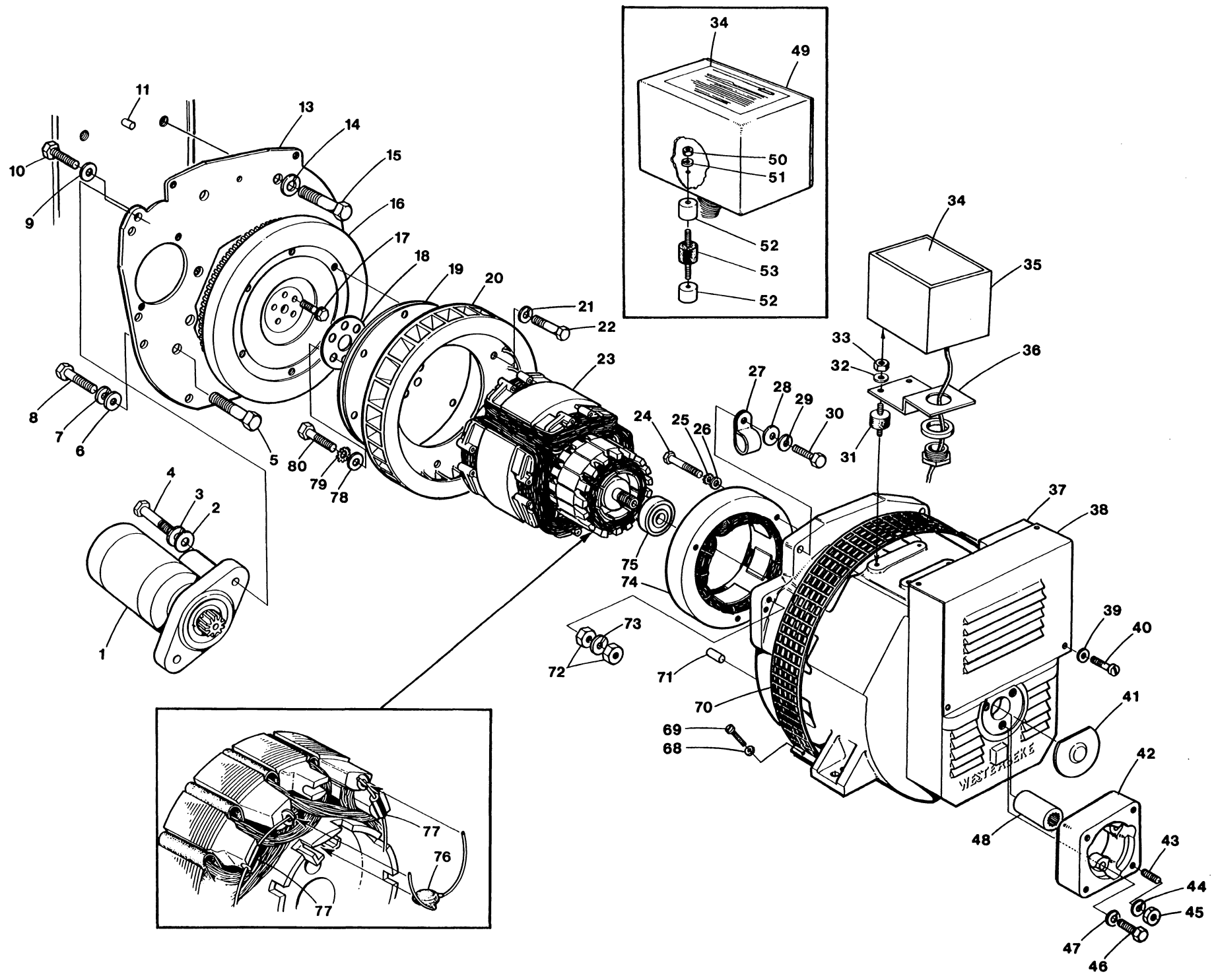
8.0 BTDR - 10.0 BTDR - 11.0 BTDR - 12.5 BTDR - MOUNTING SYSTEM

REF	PN	NAME	REMARKS	QUAN
1	031774	NUT	1/2NC	2
2	031776	LOCKWASHER	1/2	2
3-1	039349	ROD	FRONT 3 CYLINDER	1
3-2	039580	ROD	REAR 3 CYLINDER	1
3-3	039349	ROD	4 CYLINDER	2
4-1	039505	SPACER	RAIL 3 CYLINDER	4
4-2	039210	SPACER	RAIL 4 CYLINDER	4
5	039278	SPACER	RAIL	2
8-1	031711	CAPSCREW	1/2NC X 2-1/2 3 CYLINDER	4
8-2	031713	CAPSCREW	1/2NC X 3 4 CYLINDER	4
9	031777	WASHER	FLAT 1/2	4
10	033530	SHIELD	ISOLATOR	2
11	024674	WASHER	ISOLATOR SNUBBING	4
12	031776	LOCKWASHER	1/2	4
13	031774	NUT	1/2NC	4
15-1	024776	ISOLATOR	3 CYLINDER	4
15-2	015238	ISOLATOR	4 CYLINDER	4
16-1	033574	PLATE	ISOLATOR TO RAIL 3 CYLINDER	4
16-2	035271	SPACER	ISOLATOR TO RAIL 4 CYLINDER	4
17	031758	LOCKWASHER	5/16	16
18	031756	NUT	5/16NC	16
19-1	031555	CAPSCREW	5/16NC X 1 3 CYLINDER	16
19-2	031557	CAPSCREW	5/16NC X 1-1/2 4 CYLINDER	16
20-1	033918	MOUNT	FRONT 3 CYLINDER	2
20-2	036388	MOUNT	FRONT RIGHT 4 CYLINDER	1
20-3	036390	MOUNT	FRONT LEFT 4 CYLINDER	1
21	032014	CAPSCREW	M12 X 1.75 X 30 JIS	4
22	031792	LOCKWASHER	M12 DIN 127	4
23-1	036120	RAIL	3 CYLINDER	2
23-2	024701	RAIL	4 CYLINDER	2
25	034593	STRAP	GROUND	1



8.0 BTDR - 10.0 BTDR - 11.0 BTDR - 12.5 BTDR - GENERATOR - BACK END

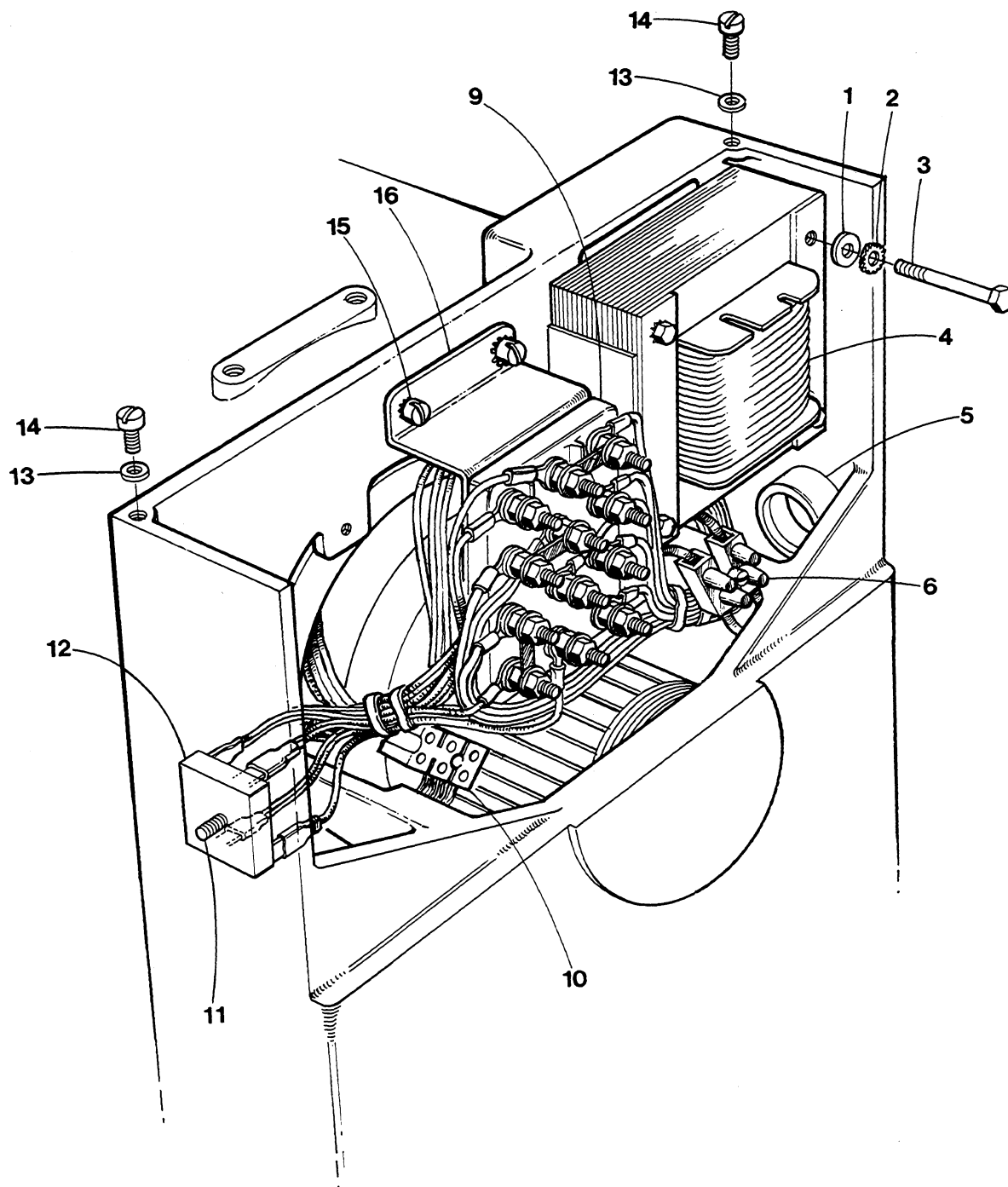
REF	PN	NAME	REMARKS	QUAN
1-1	034552	MOTOR	STARTER 12 VDC 3 CYLINDER	1
1-2	030593	MOTOR	STARTER 12 VDC 4 CYLINDER	1
2	031789	WASHER	M10 DIN 125	2
3	019262	LOCKWASHER	M10 DIN 127	2
4-1	034589	CAPSCREW	M10 X 30 DIN 933 3 CYLINDER	2
4-2	031926	CAPSCREW	M10 X 35 DIN 933 4 CYLINDER TOP	1
4-3	034589	CAPSCREW	M10 X 30 DIN 933 4 CYLINDER	1
5	024959	CAPSCREW	M12 X 1.25 X 25 DIN 961 3 CYLINDER	2
6	031789	WASHER	M10 DIN 125	5
7	019262	LOCKWASHER	M10 DIN 127	5
8	013629	CAPSCREW	M10 X 25 DIN 933	5
9	019262	LOCKWASHER	M10 DIN 127	1
10	013631	CAPSCREW	M10 X 55 DIN 933 3 CYLINDER	1
11		DOWEL	SEE BLOCK PAGE	
13-1	034010	PLATE	BACK 8.0 BTDR	1
13-2	038170	PLATE	BACK 10.0 BTDR	1
13-3	038191	PLATE	BACK 11.0 BTDR,12.5 BTDR	1
14-1	031792	LOCKWASHER	M12 DIN 127 3 CYLINDER	6
14-2	031792	LOCKWASHER	M12 DIN 127 4 CYLINDER	8
15-1	031834	CAPSCREW	M12 X 1.25 X 30 DIN 961 3 CYLINDER	6
15-2	031834	CAPSCREW	M12 X 1.25 X 30 DIN 961 4 CYLINDER	8
16-1	034014	FLYWHEEL	INCLUDING RING GEAR 8.0 BTDR	1
16-2	037207	FLYWHEEL	INCLUDING RING GEAR 10.0 BTDR	1
16-3	036385	FLYWHEEL	INCLUDING RING GEAR 11.0 BTDR,12.5 BTDR	1
16-4	032996	GEAR	RING 3 CYLINDER	1
16-5	030230	GEAR	RING 4 CYLINDER	1
17	033279	BOLT	FLYWHEEL	5
18	035928	PLATE	THRUST,DRIVE DISC TO ARMATURE	1
19-1	035927	PLATE	DRIVE DISC 8.0 BTDR	2
19-2	035927	PLATE	DRIVE DISC	3
20	035929	FAN		1
21-1	031835	LOCKWASHER	M 8 DIN 6797J 8.0 BTDR	8
21-2	031786	LOCKWASHER	M 8 DIN 127	8
22-1	037338	CAPSCREW	ARMATURE 8.0 BTDR	8
22-2	017196	CAPSCREW	M 8 X 20 DIN 933	8
23-1	035930	ARMATURE	1 PHASE 8.0 BTDR	1
23-2	037464	ARMATURE	1 PHASE 10.0 BTDR,11.0 BTDR,12.5 BTDR	1
23-3	039342	ARMATURE	3 PHASE 10.0 BTDR,11.0 BTDR,12.5 BTDR	1
24	031919	CAPSCREW	M 5 X 35 DIN 912	3
25	031914	LOCKWASHER	M 5 DIN 6797A	3
26	031781	WASHER	M 5 DIN 125	3
27	013760	CLAMP	HARNESS SUPPORT	1
28	031789	WASHER	M10 DIN 125	2
29	019262	LOCKWASHER	M10 DIN 127	2
30-1	034470	CAPSCREW	M10 X 45 DIN 931 3 CYLINDER	2
30-2	034590	CAPSCREW	M10 X 40 DIN 933 4 CYLINDER	3
31	036652	ISOLATOR	PANEL BOX MOUNT 10.0-12.5KW	4
32	031783	LOCKWASHER	M 6 DIN 127 10.0-12.5KW	4
33	015812	NUT	M 6 DIN 934 10.0-12.5KW	4
34	024968	DECAL	GENERATOR OPERATION INSTRUCTIONS	1
35-1	039589	PANEL	CONTROL BOX & HARNESS 10-12.5KW 1 PHASE	1
35-2	039601	PANEL	GENSET CONTROL INCL HARNESS 3 PHASE	1
36	036730	BRACKET	PANEL BOX MOUNTING INCLUDED IN REF 35	1



8.0 BTDR - 10.0 BTDR - 11.0 BTDR - 12.5 BTDR - GENERATOR - BACK END

REF	PN	NAME	REMARKS	QUAN
37-1	037428	GENERATOR	1 PHASE 8.0 BTDR	1
37-2	035934	STATOR	INCLUDING HOUSING 1 PHASE 8.0 BTDR	1
37-3	037723	STATOR	1 PHASE 8.0 BTDR	1
37-4	037437	GENERATOR	1 PHASE 10 BTDR, 11.0 BTDR, 12.5 BTDR	1
37-5	037465	STATOR	INCLUDING HOUSING 1 PHASE 10.0-12.5KW	1
37-6	037466	STATOR	1 PHASE 10.0 BTDR, 11.0 BTDR, 12.5 BTDR	1
37-7	039030	GENERATOR	3 PHASE 10.0 BTDR, 11.0 BTDR, 12.5 BTDR	1
37-8	038465	STATOR	INCLUDING HOUSING 3 PHASE 10.0-12.5KW	1
37-9	038466	STATOR	3 PHASE 10.0 BTDR, 11.0 BTDR, 12.5 BTDR	1
38-1	035936	COVER	8.0 BTDR	1
38-2	037851	COVER	10.0 BTDR, 11.0 BTDR, 12.5 BTDR	1
39	031914	LOCKWASHER	M 5 DIN 6797A	4
40	031918	SCREW	M 5 X 10 DIN 84A	4
41-1	034182	COVER	PTO INTERFACE 8.0 BTDR	1
41-2	036701	COVER	PTO INTERFACE 10.0-12.5KW	1
42-1	034786	KIT	PTO INCL REF 42-48 8.0 BTDR	1
42-2	037134	KIT	PTO INCL REF 42 THRU 48 10.0-12.5KW	1
42-3	034742	DRAWING	PTO INSTALLATION 8.0 BTDR	1
42-4	037197	DRAWING	PTO INSTALLATION 10.0-12.5KW	1
42-5	034738	ADAPTER		1
43	034867	STUD	1/2NC	4
44	031776	LOCKWASHER	1/2	4
45	031774	NUT	1/2NC	4
46	013589	CAPSCREW	M12 X 40 DIN 933	3
47	031792	LOCKWASHER	M12 DIN 127	3
48-1	034737	DRIVE	PTO SAE-B SPLINE 8.0 BTDR	1
48-2	037188	DRIVE	PTO SAE-B SPLINE 10.0-12.5KW	1
49	039591	PANEL	CONTROL BOX & HARNESS 8.0 BTDR	1
50	015812	NUT	M 6 DIN 934	4
51	031783	LOCKWASHER	M 6 DIN 127	4
52	024836	SPACER		8
53	034731	ISOLATOR	PANEL BOX MOUNT 8.0 BTDR	4
68	031914	LOCKWASHER	M 5 DIN 6797A	1
69	031920	SCREW	M 5 X 20 DIN 84A	1
70	035935	GUARD	AIR	1
71	019039	DOWEL		2
72-1	015887	NUT	M10 DIN 934 10.0 BTDR	2
72-2	018813	CAPSCREW	M10 X 20 DIN 933 4 CYLINDER	1
73	019262	LOCKWASHER	M10 DIN 127	1
74-1	035933	STATOR	EXCITER 1 PHASE 8.0 BTDR	1
74-2	037467	STATOR	EXCITER 1 PHASE 10.0-12.5KW	1
74-3	039340	STATOR	EXCITER 3 PHASE 10.0-12.5KW	1
75-1	035932	BEARING	BALL 8.0 BTDR	1
75-2	037460	BEARING	BALL 10.0 BTDR, 11.0 BTDR, 12.5 BTDR	1
76	035943	RESISTOR	POSI	1
77	035931	DIODE		6
78	031789	WASHER	M10 DIN 125	6
79	031915	LOCKWASHER	M10 DIN 6797A	6
80	013629	CAPSCREW	M10 X 25 DIN 933	6

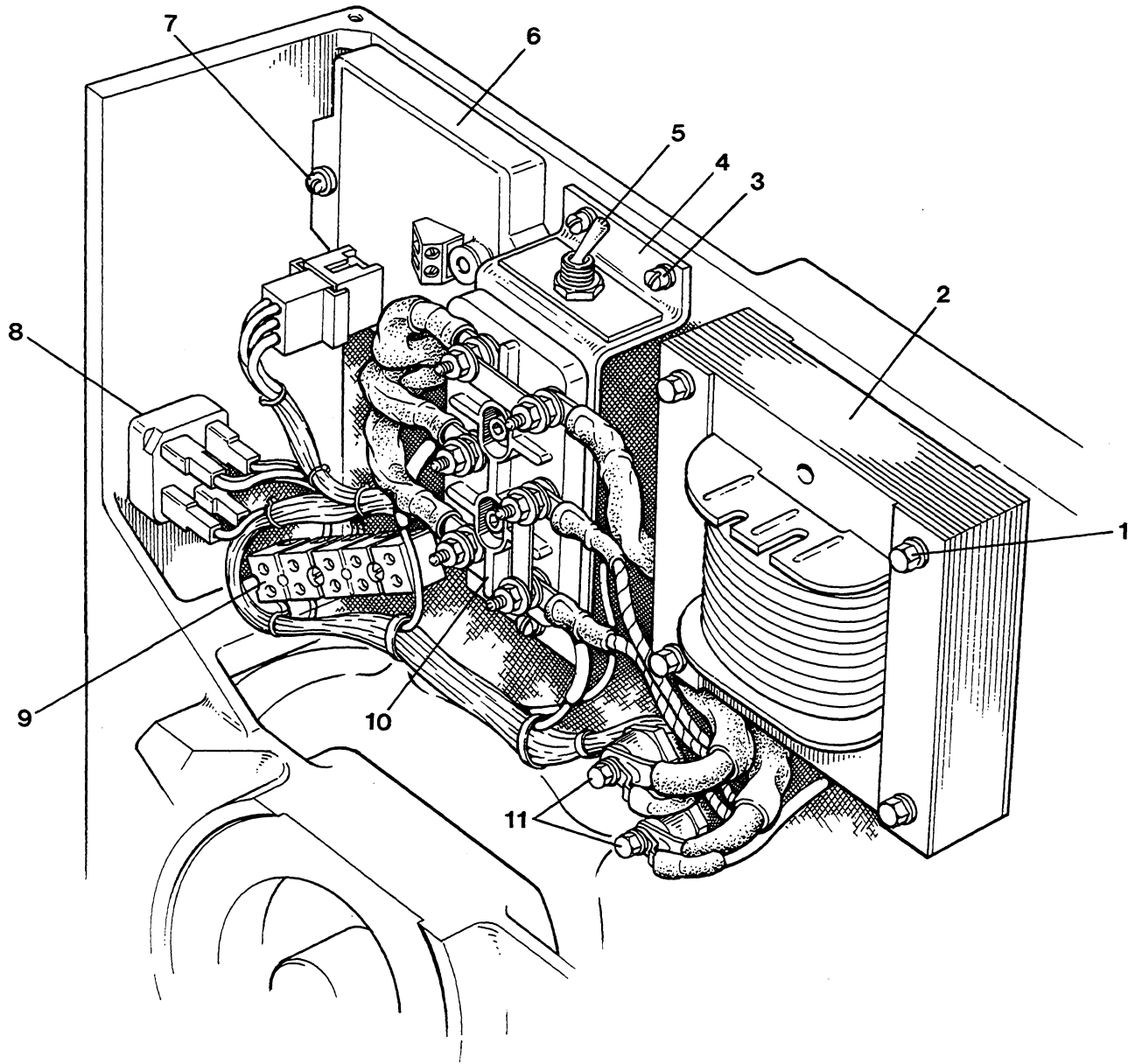
8.0 BTDR - GENERATOR AC OUTPUT



8.0 BTDR - GENERATOR AC OUTPUT

REF	PN	NAME	REMARKS	QUAN
1	031781	WASHER	M 5 DIN 125	4
2	031914	LOCKWASHER	M 5 DIN 6797A	4
3	031916	CAPSCREW	M 5 X 50 DIN 933	4
4	035937	TRANSFORMR	VOLTAGE REGULATION	1
5	038905	CONNECTOR	BOX - AC OUTPUT LEADS	1
6	035941	BLOCK	TERMINAL 2 POLE	1
9-1	035940	BLOCK	TERMINAL AC OUTPUT	1
9-2	038348	NUT	M 5 BRASS	AR
9-3	038349	BAR	BUSS	AR
10	035942	BLOCK	TERMINAL 3 POLE	1
11-1	031931	SCREW	M 5 X 16 DIN 84A	1
11-2	031914	LOCKWASHER	M 5 DIN 6797A	1
12	030809	RECTIFIER	BRIDGE	1
13	031914	LOCKWASHER	M 5 DIN 6797A	4
14	031918	SCREW	M 5 X 10 DIN 84A	4
15-1	031914	LOCKWASHER	M 5 DIN 6797A	2
15-2	031918	SCREW	M 5 X 10 DIN 84A	2
16	035939	BRACKET		1
17	035144	LABEL	AC OUTPUT CONNECTIONS	1

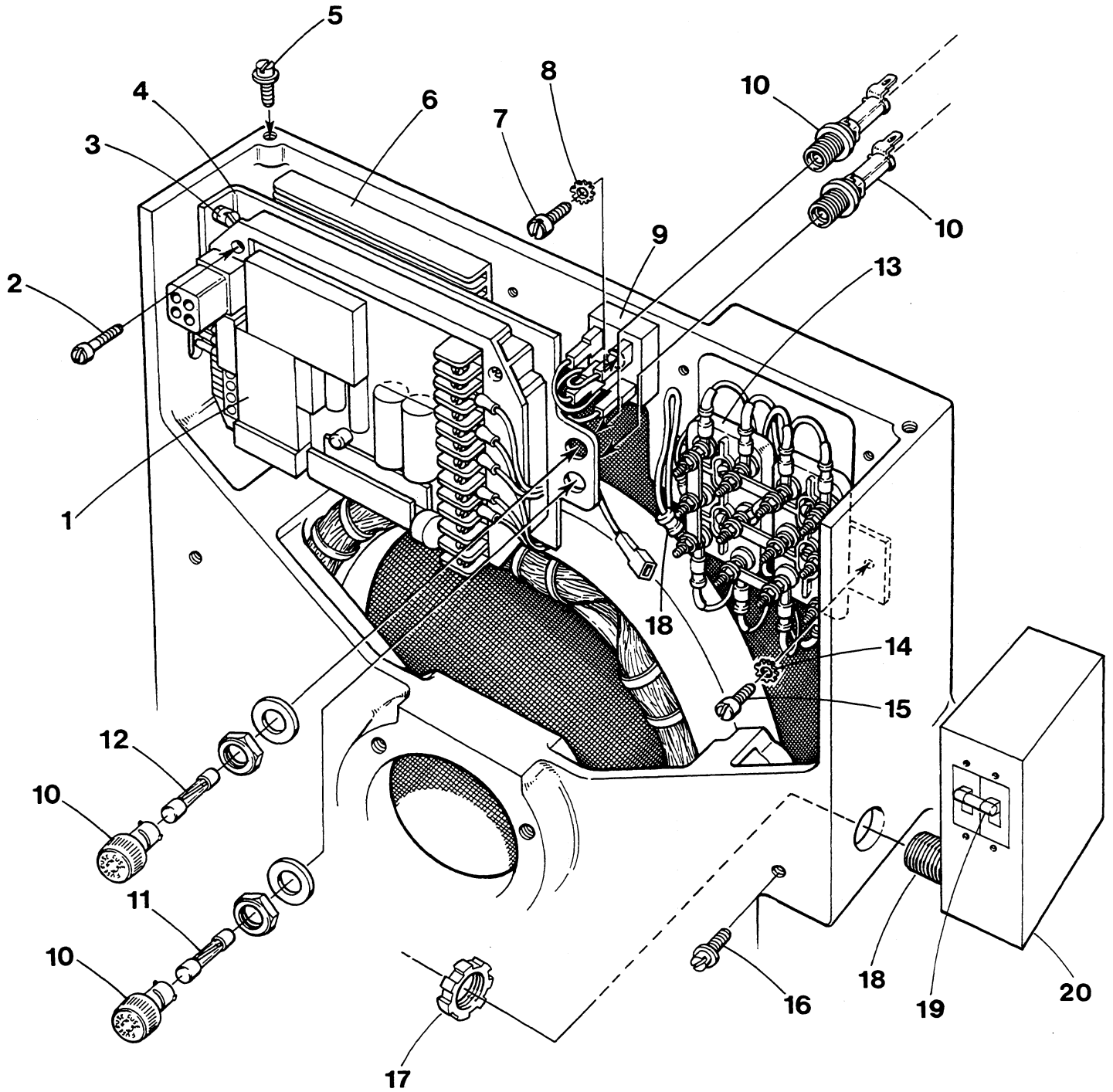
10.0 BTDR - 11.0 BTDR - 12.5 BTDR - AC OUTPUT AND REGULATOR 1 PHASE



10.0 BTDR - 11.0 BTDR - 12.5 BTDR - AC OUTPUT AND REGULATOR 1 PHASE

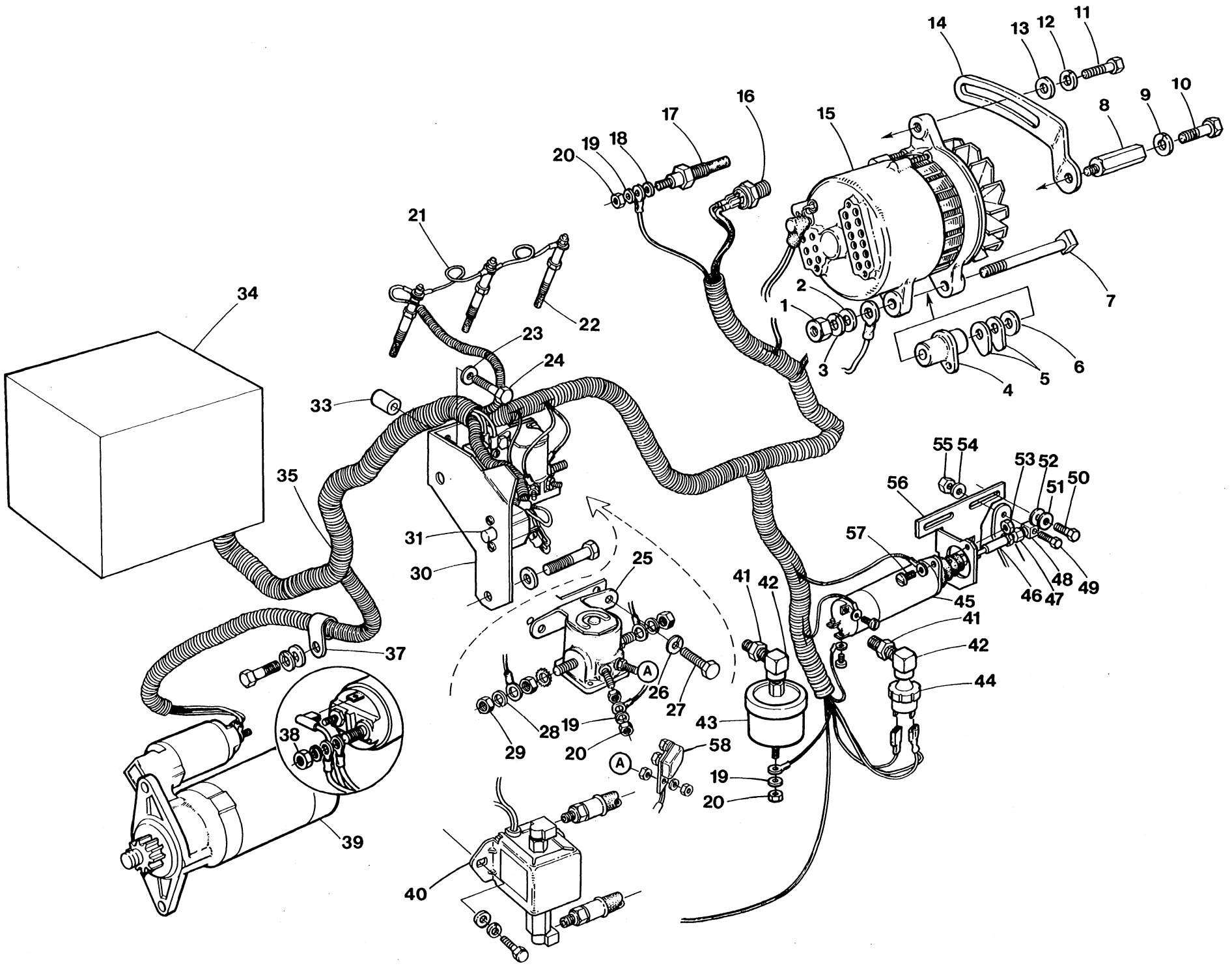
REF	PN	NAME	REMARKS	QUAN
1-1	031916	CAPSCREW	M 5 X 50 DIN 933	4
1-2	031914	LOCKWASHER	M 5 DIN 6797A	4
1-3	031781	WASHER	M 5 DIN 125	4
2	037463	TRANSFORMR	VOLTAGE REGULATION	1
3-1	031918	SCREW	M 5 X 10 DIN 84A	2
3-2	031914	LOCKWASHER	M 5 DIN 6797A	2
4	038345	BRACKET		1
5	038346	SWITCH	REGULATION SELECTION	1
6	034410	REGULATOR	ELECTRONIC VOLTAGE - OPTIONAL	1
7-1	031914	LOCKWASHER	M 4 DIN 6797A	2
7-2	031934	SCREW	M 4 X 20 DIN 84A	2
8-1	030809	RECTIFIER	BRIDGE	1
8-2	031931	SCREW	M 5 X 16 DIN 84A	1
8-3	031914	LOCKWASHER	M 5 DIN 6797A	1
9	038347	BLOCK	TERMINAL 5 POLE	1
10-1	038342	BLOCK	TERMINAL AC OUTPUT	1
10-2	038343	NUT	M 6 BRASS	AR
10-3	038344	BAR	BUSS	AR
11	035943	TERMINAL	INSULATED	2
12	036737	CONNECTOR	BOX - AC OUTPUT LEADS	1
13	036702	LABEL	AC OUTPUT CONNECTIONS	1

10.0 BTDR - 11.0 BTDR - 12.5 BTDR - AC OUTPUT AND REGULATOR 3 PHASE



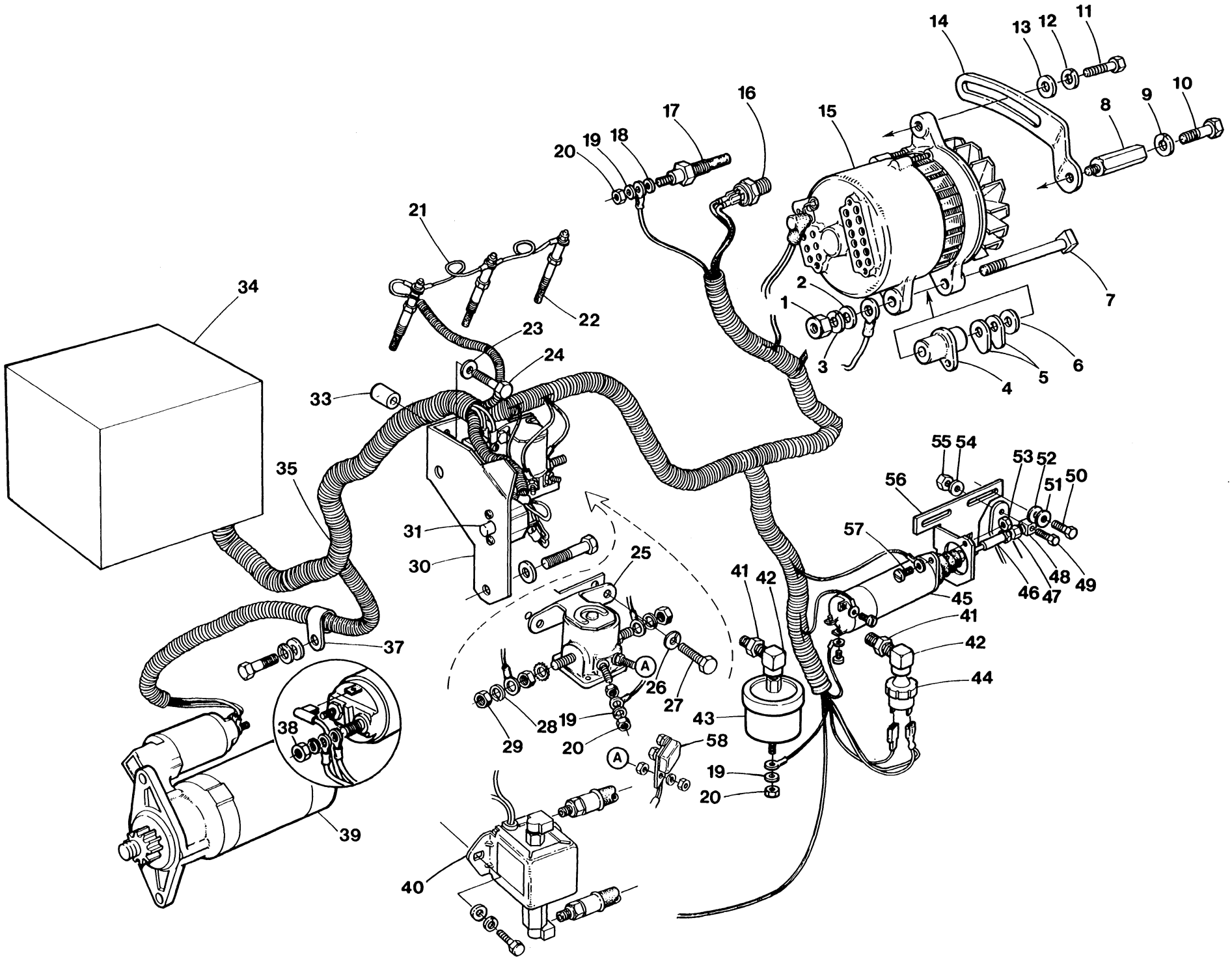
10.0 BTDR - 11.0 BTDR - 12.5 BTDR - AC OUTPUT AND REGULATOR 3 PHASE

REF	PN	NAME	REMARKS	QUAN
1	038468	REGULATOR	ELECTRONIC VOLTAGE	1
2	031934	SCREW	M 4 X 20 DIN 84A	2
3	031918	SCREW	M 5 X 10 DIN 84A	2
4	038470	BRACKET	REGULATOR	1
5	031918	SCREW	M 5 X 10 DIN 84A	2
6	038469	CHARGER	BATTERY	1
7	031920	SCREW	M 5 X 20 DIN 84A	1
8	031914	LOCKWASHER	M 5 DIN 6797A	1
9	030809	RECTIFIER	BRIDGE	1
10	038472	HOLDER	FUSE	2
11	038471	FUSE	20 AMP	1
12	033769	FUSE	8 AMP	1
13-1	038464	BLOCK	TERMINAL AC OUTPUT	1
13-2	038348	NUT	M 5 BRASS	AR
13-3	038349	BAR	BUSS	AR
14	031914	LOCKWASHER	M 5 DIN 6797A	2
15	031920	SCREW	M 5 X 20 DIN 84A	2
16	015816	CAPSCREW	M 6 X 10 DIN 933	2
17	038524	LOCKNUT	1-1/4	4
18	038525	NIPPLE	1-1/4 CLOSE BRASS	1
19-1	039564	BREAKER	CIRCUIT 30 AMP 3 PH 10 KW	1
19-2	039565	BREAKER	CIRCUIT 40 AMP 3 PH 11-12.5 KW	1
19-3	031852	SCREW	6-32 X 1/4 BINDING HEAD SS	6
20-1	039145	BOX	CIRCUIT BREAKER	1
20-2	039146	COVER	CIRCUIT BREAKER BOX	1
20-3	031891	SCREW	8-32 X 3/8 TRUSS HEAD SS	6
21	036737	CONNECTOR	BOX - AC OUTPUT LEADS	1
22	038676	LABEL	AC OUTPUT CONNECTIONS 3 PHASE	1



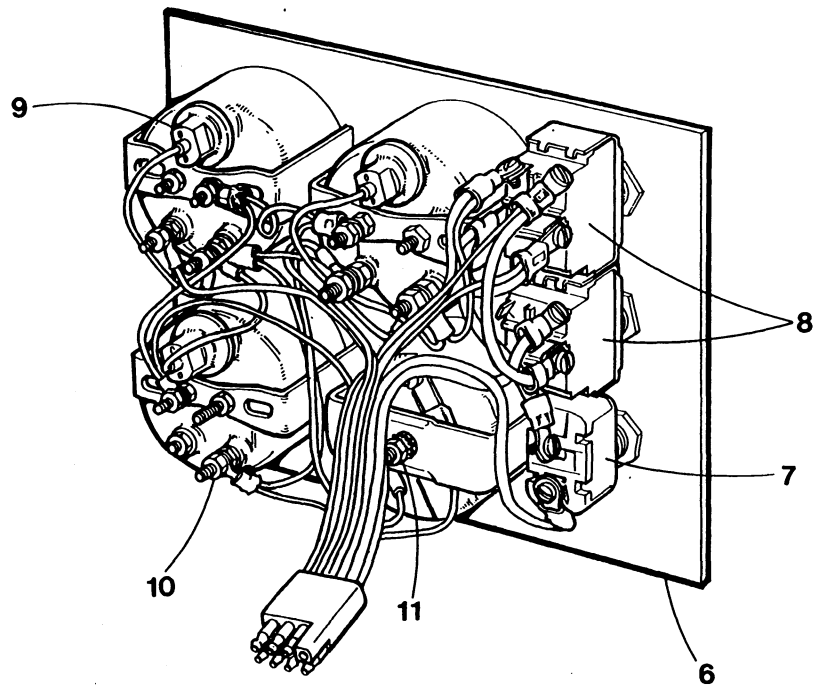
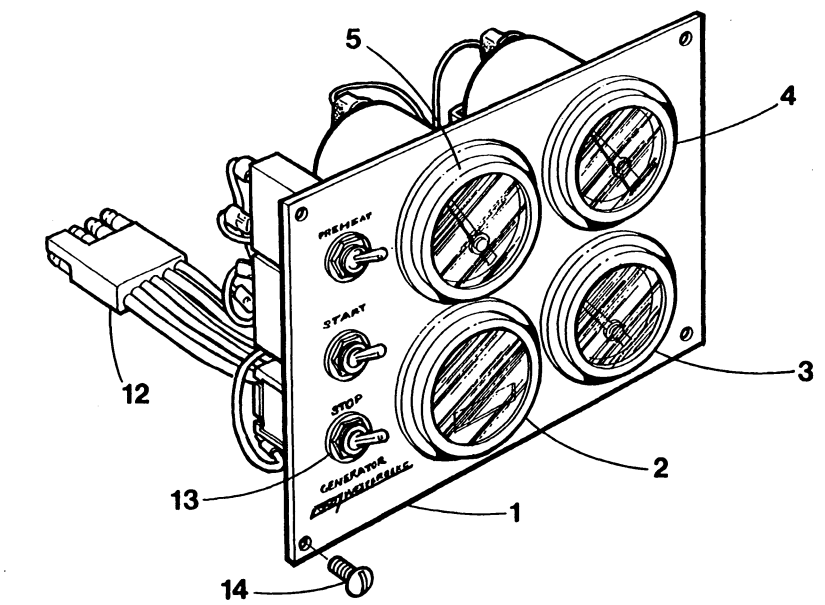
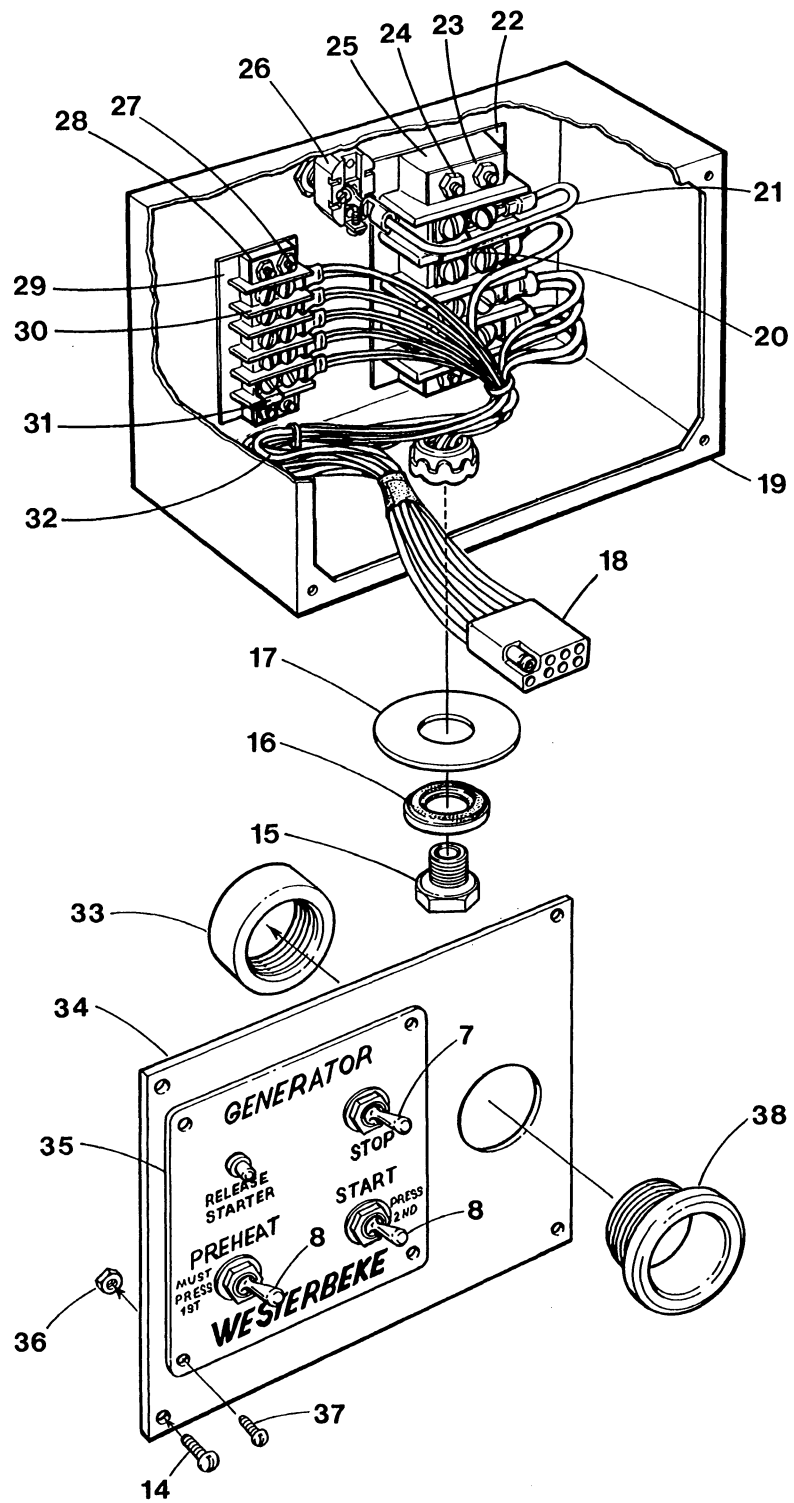
8.0 BTDR - 10.0 BTDR - 11.0 BTDR - 12.5 BTDR - ELECTRICAL SYSTEM

REF	PN	NAME	REMARKS	QUAN
1	018242	NUT	M 8 DIN 934	1
2	031787	WASHER	M 8 DIN 125	1
3	031786	LOCKWASHER	M 8 DIN 127	1
4	030596	SPACER	ALTERNATOR MOUNT	1
5	030234	SHIM		5
7	032015	BOLT	ALTERNATOR MOUNTING	1
8	039490	STANDOFF	FAN SHROUD	1
9	031835	LOCKWASHER	M 8 DIN 6797J	1
10	017196	CAPSCREW	M 8 X 20 DIN 933	1
11	013630	CAPSCREW	M 8 X 25 DIN 933	1
12	031786	LOCKWASHER	M 8 DIN 127	1
13	033381	WASHER	ADJUSTING STRAP	1
14	030595	STRAP	ADJUSTING	1
15	030594	ALTERNATOR	50 AMP 12 VDC	1
16	039550	SWITCH	WATER TEMPERATURE	1
17	035109	SENDER	WATER TEMPERATURE	1
18	031848	WASHER	FLAT 10	1
19	031849	LOCKWASHER	10	3
20	031847	NUT	10-32 HEX SS	3
21-1	030221	WIRE	GLOWPLUG CONNECTING 3 CYLINDER	2
21-2	030221	WIRE	GLOWPLUG CONNECTING 4 CYLINDER	3
22-1	024353	GLOWPLUG	12 VDC 3 CYLINDER	3
22-2	024353	GLOWPLUG	12 VDC 4 CYLINDER	4
23	031786	LOCKWASHER	M 8 DIN 127	2
24	013630	CAPSCREW	M 8 X 25 DIN 933	2
25	024639	SOLENOID	PREHEAT	1
26	031752	LOCKWASHER	1/4	2
27-1	031503	CAPSCREW	1/4NC X 3/4	2
27-2	031750	NUT	1/4NC	2
28	031758	LOCKWASHER	5/16	2
29	031760	NUT	5/16NF	2
30	034244	BRACKET	CIRCUIT BREAKER AND SOLENOID	1
31	024683	BREAKER	CIRCUIT 20 AMP	1
33	021885	SPACER		2



8.0 BTDR - 10.0 BTDR - 11.0 BTDR - 12.5 BTDR - ELECTRICAL SYSTEM

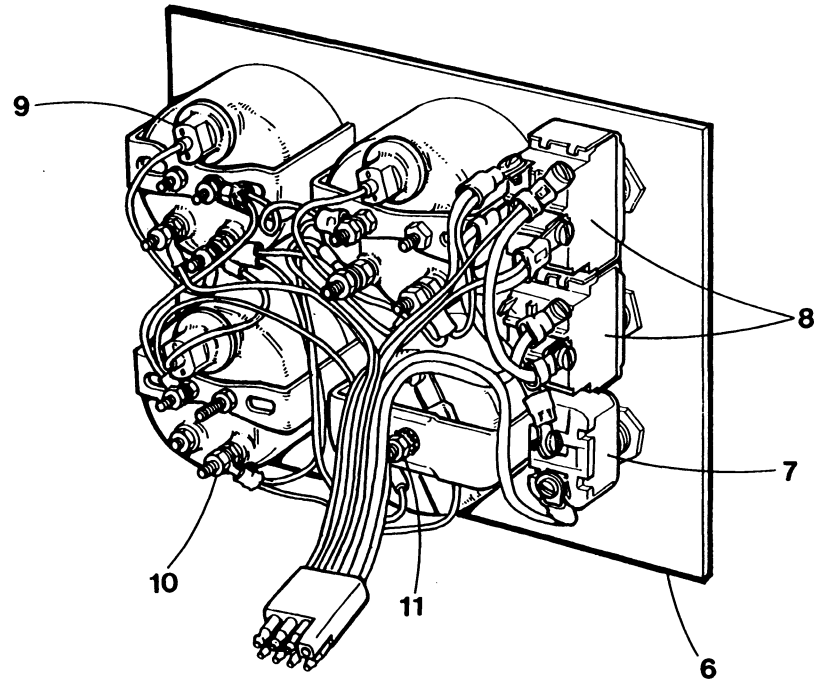
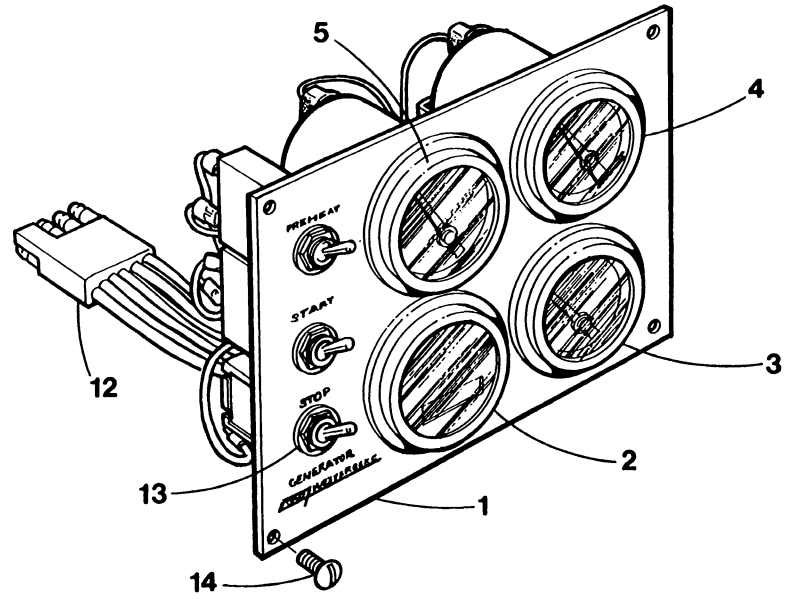
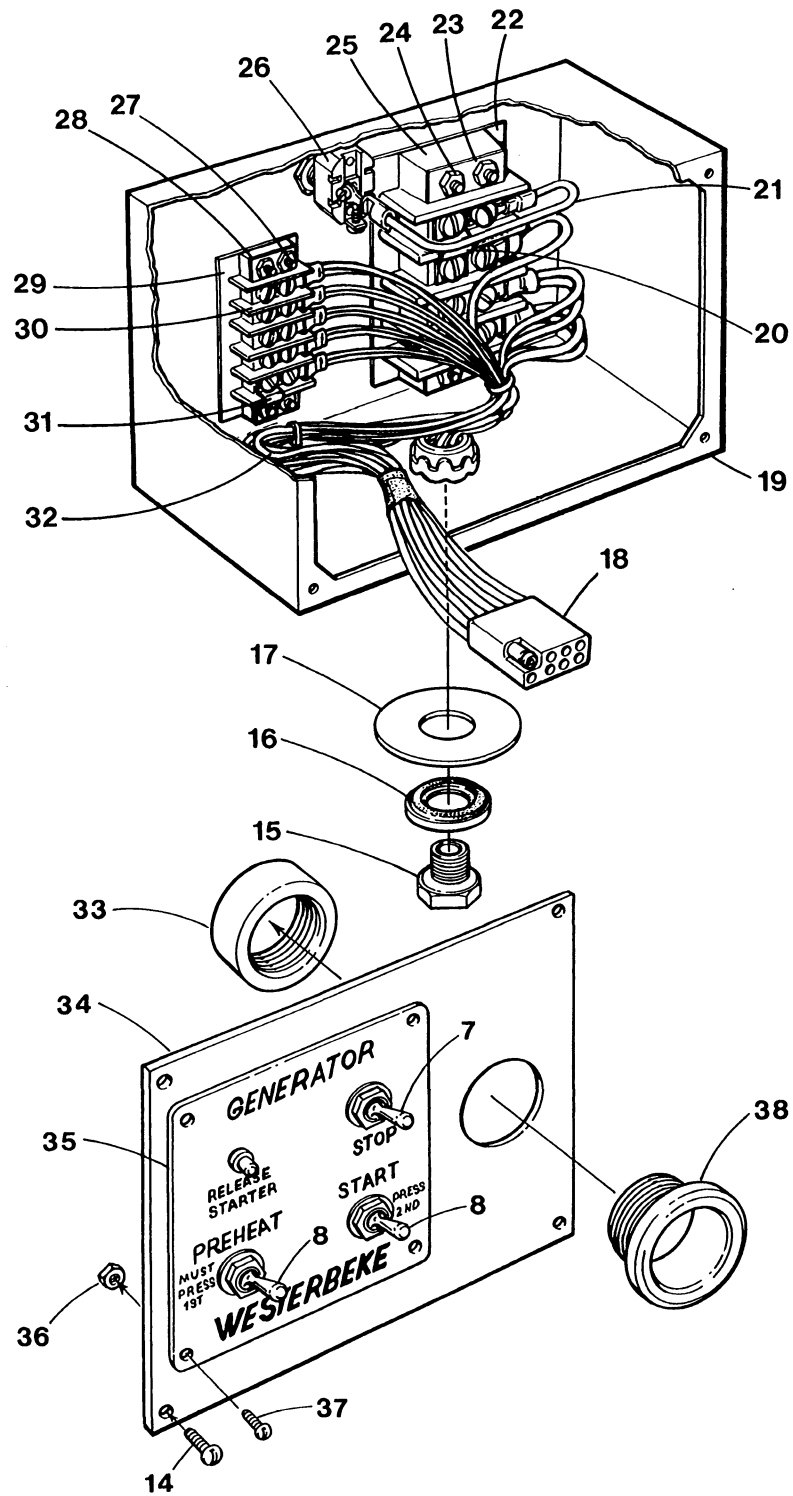
REF	PN	NAME	REMARKS	QUAN
34		PANEL	REFER TO CONTROL PANEL PAGE	1
35	039566	HARNESS		1
37	013760	CLAMP	HARNESS SUPPORT	1
38	018242	NUT	M 8 DIN 934	1
39-1	034552	MOTOR	STARTER 12 VDC 3 CYLINDER	1
39-2	030593	MOTOR	STARTER 12 VDC 4 CYLINDER	1
40	039275	PUMP	ELECTRIC FUEL LIFT	1
41	024752	ADAPTER	1/4BSPT TO 1/8 NPT	2
42	011984	ELBOW	1/8 NPT STREET 90 STEEL	2
43	024132	SENDER	OIL PRESSURE	1
44	037323	SWITCH	OIL PRESSURE	1
45	023041	SOLENOID	FUEL SHUTOFF	1
46	015225	BALL JOINT		1
47	015534	NUT		1
48	034179	BALL JOINT		1
49	031505	CAPSCREW	1/4NC X 1	1
50	031810	CAPSCREW	M 6 X 14 DIN 933	2
51	031783	LOCKWASHER	M 6 DIN 127	2
52	031784	WASHER	M 6 DIN 125	2
53-1	031847	NUT	10-32 HEX SS	2
53-2	031849	LOCKWASHER	10	2
54	031752	LOCKWASHER	1/4	1
55	031750	NUT	1/4NC	1
56	034201	BRACKET	FUEL SOLENOID	1
57	031872	SCREW	10-32 X 1/2 BINDING HEAD SS	2
58	036563	BREAKER	CIRCUIT 10 AMP	1
59	036412	DIAGRAM	GENERATOR DC CONTROL WIRING	1



8.0 BTDR - 10.0 BTDR - 11.0 BTDR - 12.5 BTDR - CONTROL PANEL

8.0 BTDR - 10.0 BTDR - 11.0 BTDR - 12.5 BTDR - CONTROL PANEL

REF	PN	NAME	REMARKS	QUAN
1	036539	PANEL	GENERATOR CONTROL REF 2 THRU 13	1
2	036192	HOURLMETER		1
3	037605	VOLTMETER	12 VDC	1
4	037603	METER	OIL PRESSURE 0-100 PSI	1
5	037601	METER	WATER TEMPERATURE	1
6	034485	PLATE	PANEL	1
7	024731	SWITCH	STOP	1
8	024732	SWITCH	PREHEAT-START	2
9-1	035114	LAMP	INSTRUMENT WEDGE BASE	3
9-2	035118	HOLDER	LAMP WEDGE BASE	3
9-3	035825	WIRE	LAMP POWER CONNECTION	3
10-1	031900	NUT	10-32	AR
10-2	031902	LOCKWASHER	10	AR
12	036538	HARNESS	PANEL	1
13	031999	RING	TOGGLE SWITCH MOUNT LOCKING	3
14	034421	SCREW	8-32 X 3/8 TRUSS HEAD BLACK SS	4
15	036464	NIPPLE	CHASE WITH BUSHING 10-12.5 KW	1
16	036492	RING	SEALING 10-12.5 KW	1
17	036837	WASHER	REDUCER 10-12.5 KW	1
18	039566	HARNESS	ENGINE	1
19-1	039591	ASSEMBLY	BOX & HARNESS 8.0 KW	1
19-2	039589	ASSEMBLY	BOX & HARNESS 10-12.5 KW	1
19-3	039601	PANEL	CONTROL INCL HARNESS 10.0 BTDR 3 PHASE	1
19-4	034243	BOX	GENERATOR CONTROL PANEL 8.0 KW	1
19-5	036466	BOX	GENERATOR CONTROL PANEL 10.0-12.5 KW	1
20	013938	JUMPER	TERMINAL BLOCK	1
21	036698	WIRE	STOP SWITCH TO TERMINAL BLOCK	1
22	013363	MARKER	TERMINAL BLOCK	1
23	013856	PLATE	SCREW-TERMINAL BLOCK	2
24-1	031866	SCREW	8-32 X 7/8 BINDING HEAD SS	4
24-2	031842	NUT	8-32 HEX SS	4
24-3	031843	WASHER	FLAT 8	4
24-4	031844	LOCKWASHER	8	4
25	013320	BLOCK	TERMINAL	1
26-1	033259	SWITCH	EMERGENCY STOP	1
26-2	033258	BOOT	EMERGENCY STOP SWITCH	1
26-3	033251	LABEL	EMERGENCY STOP SWITCH	1
27-1	031855	SCREW	6-32 X 5/8 BINDING HEAD SS	4
27-2	031837	NUT	6-32 HEX SS	4
27-3	031838	WASHER	FLAT 6	4
27-4	031839	LOCKWASHER	6	4



8.0 BTDR - 10.0 BTDR - 11.0 BTDR - 12.5 BTDR - CONTROL PANEL

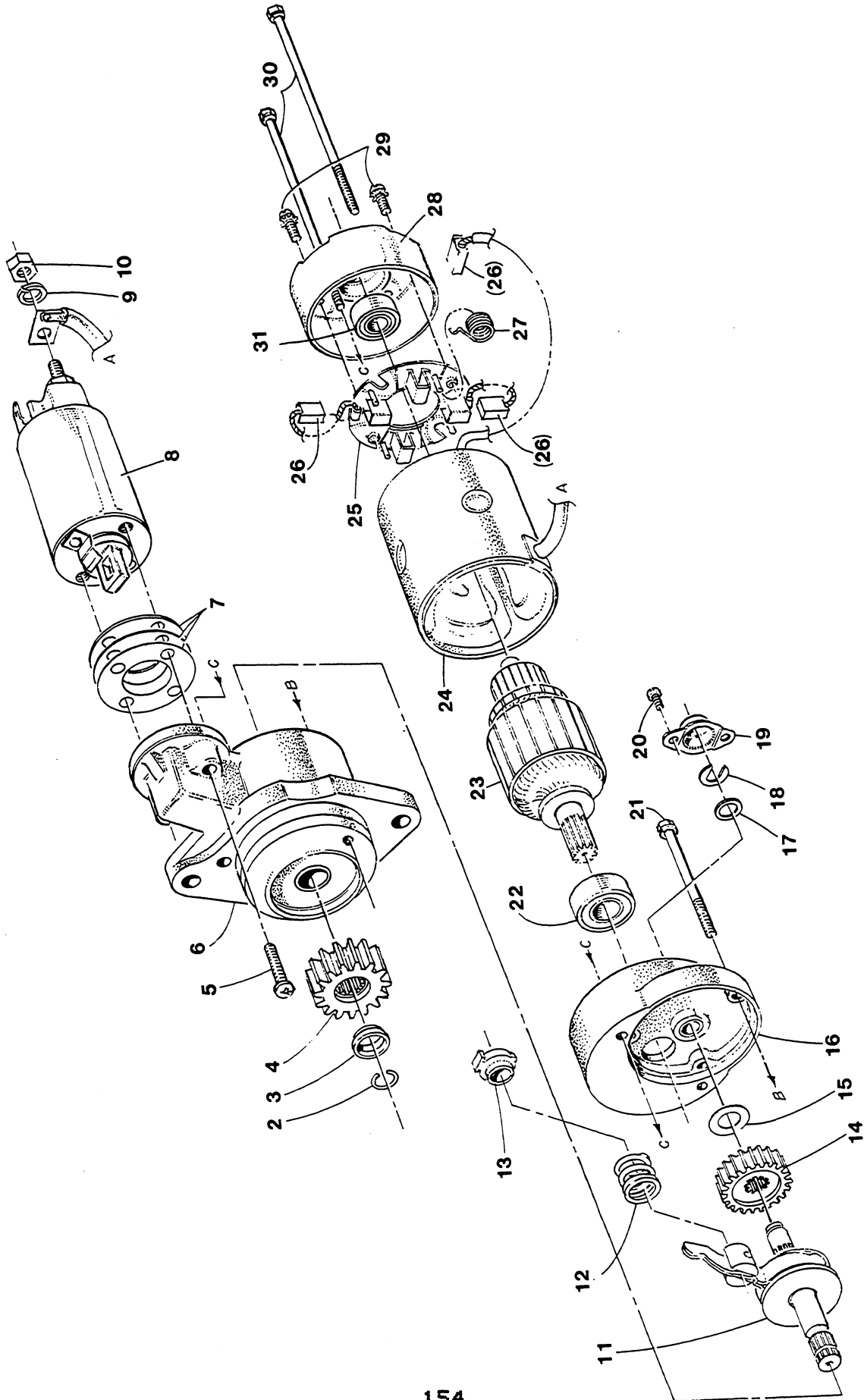
8.0 BTDR - 10.0 BTDR - 11.0 BTDR - 12.5 BTDR - CONTROL PANEL

REF	PN	NAME	REMARKS	QUAN
28	015222	PLATE	SCREW-TERMINAL BLOCK	2
29	019122	MARKER	TERMINAL BLOCK	1
30	019121	BLOCK	TERMINAL	1
32	036232	HARNESS	PANEL BOX	1
33	011812	BUSHING	INSULATED FEMALE 1.25	1
34	034775	PLATE	CONTROL BOX 3 PHASE	1
35	024943	PANEL	START-STOP CONTROL	1
36	050234	NUT	6-32 KEPS	4
37	039004	SCREW	6-32 X 1/4 FLAT HEAD	4
38	011811	BUSHING	INSULATED MALE 1.25	1
39	039275	LED	GREEN-STARTER RELEASE PANEL 24943	1
40	013723	RESISTOR	PANEL 24943	1
41	013724	DIODE	PANEL 24943	1

8.0 BTDR - 10.0 BTDR - 11.0 BTDR - 12.5 BTDR - ALTERNATOR

REF	PN	NAME	REMARKS	QUAN
1	030594	ALTERNATOR	50 AMP 12 VDC	1
2	030694	NUT SET	INCLUDES LOCKWASHER	1
3	030251	PULLEY	ASSEMBLY WITH FAN AND BUSHING	1
4		FAN	INCLUDED IN REF 3	1
5		SPACER	INCLUDED IN REF 3	1
6	030249	SCREW SET	BEARING RETAINING PLATE	1
7	030254	BRACKET	FRONT ASSEMBLY INCLUDING BEARING REF 9	1
8	030255	STATOR		1
9	030690	BEARING		1
10		PLATE	BEARING RETAINING INCLUDED IN REF 7	1
11		SLINGER	INCLUDED IN REF 7	1
12	030250	SCREW SET	ALTERNATOR HOUSING	1
13	032015	BOLT	ALTERNATOR MOUNTING	1
14	030253	ROTOR	ASSEMBLY INCLUDING BEARING REF 15	1
15	030248	BEARING		1
16	030256	TERMINAL	SET INCLUDING REF 17,18,19,20,32	1
17		SCREW	INCLUDED IN REF 16	3
18		INSULATOR	INCLUDED IN REF 16	1
19		STRAP	INCLUDED IN REF 16	1
20		STRAP	INCLUDED IN REF 16	1
21	030703	RECTIFIER	ASSEMBLY	1
22	030257	REGULATOR	ASSEMBLY INCLUDING BRUSH SET	1
23	030258	BRUSH		2
24	030247	SPRING	BRUSH	2
25	033381	SPACER	ALTERNATOR MOUNT	1
26	030234	SHIM	ALTERNATOR MOUNT	AR
27	030704	BRACKET	REAR ASSEMBLY INCLUDING REF 16,21,22,31	1
28	031787	WASHER	M 8 DIN 125	1
29	031786	LOCKWASHER	M 8 DIN 127	1
30	018242	NUT	M 8 DIN 934	1
31	030252	CONDENSER		1
32		NUT	INCLUDED IN REF 16	1
33	031086	BOOT	RUBBER	1

8.0 BTDR - 10.0 BTDR - 11.0 BTDR - 12.5 BTDR - STARTER MOTORS



8.0 BTDR - 10.0 BTDR - 11.0 BTDR - 12.5 BTDR - STARTER MOTORS

REF	PN	NAME	REMARKS	QUAN
1-1	034552	MOTOR	STARTER 12 VDC 3 CYLINDER	1
1-2	030593	MOTOR	STARTER 12 VDC 4 CYLINDER	1
2		RING	RETAINING SEE REF 3	1
3	030261	RETAINER	INCLUDING REF 2	1
4-1	038703	PINION	MOTOR 34552 INCL REF 2 AND 3	1
4-2	030700	PINION	MOTOR 30593 INCL REF 2 AND 3	1
5	030263	SCREW SET	INCLUDING REF 29	1
6		BRACKET	FRONT	1
7		SHIMS	SOLENOID SEE REF 8	AR
8-1	036218	SOLENOID	MOTOR 34552 INCLUDING REF 7	1
8-2	030245	SOLENOID	MOTOR 30593 INCLUDING REF 7	1
9	031786	LOCKWASHER	M 8 DIN 127	2
10	018242	NUT	M 8 DIN 934	2
11	030265	SHAFT	ASSEMBLY	1
12		SPRING		1
13		RETAINER		1
14	030695	GEAR		1
15		WASHER	SEE REF 19	1
16		BRACKET	CENTER	1
17		WASHER	SEE REF 19	1
18		CLIP	SEE REF 19	1
19	030696	COVER	INCLUDING REF 15,17,18,20	1
20		SCREW	SEE REF 19	2
21	030692	CAPSCREW	M 5 X 73	1
22	031305	BEARING	ARMATURE	1
23		ARMATURE	INCLUDING BEARINGS	1
24		HOUSING	YOKE ASSEMBLY	1
25	030262	HOLDER	BRUSH ASSEMBLY INCL REF 26 AND 27	1
26		BRUSH	SEE REF 25	4
27	030246	SPRING	BRUSH	1
28	030697	HOUSING	REAR	1
29		SCREW	SEE REF 5	2
30		CAPSCREW		2
31	031306	BEARING	ARMATURE	1

8.0 BTDR - 10.0 BTDR - 11.0 BTDR - 12.5 BTDR - MISCELLANEOUS

REF	PN	NAME	REMARKS	QUAN
1-1	039600	KIT A	SPARE PARTS 8.0-10.0 BTDR	1
1-2	039724	KIT A	SPARE PARTS 11.0 BTDR,12.5 BTDR	1
3-1	039725	GASKET SET	UPPER 8.0 BTDR	1
3-2	039730	GASKET SET	UPPER 10.0 BTDR	1
3-3	039732	GASKET SET	UPPER 11.0 BTDR	1
3-4	039738	GASKET SET	UPPER 12.5 BTDR	1
4-1	039726	GASKET SET	COMPLETE 8.0 BTDR	1
4-2	039731	GASKET SET	COMPLETE 10.0 BTDR	1
4-3	039733	GASKET SET	COMPLETE 11.0 BTDR	1
4-4	039739	GASKET SET	COMPLETE 12.5 BTDR	1
5	030760	HARNES	15 FOOT PANEL EXTENSION 8 PIN	1
6	013758	PAINT	RED AEROSOL SPRAY CAN	1
7	032149	FILTER KIT	REMOTE LUBE OIL	1
8	033093	KIT	FUEL HARDWARE	1
9	039673	MANUAL	OPERATOR	1
10		MANUAL	TECHNICAL	1

